

CONTENTS

01

Team Svarochi

02

Product Section

03

Smart Bulbs

04

Smart Downlights

05

Prima - Smart COB
Spotlights

06

Elite - Smart COB
Spotlights

07

Smart Modules
And Attachment

08

Prima Smart
Flexible Striplights

09

Svarochi Smart
Lighting App

10

Smart Lighting Tips

11

Datasheet

ABOUT US

'Svarochi'

is a Sanskrit word which means "brilliant appearance" and "own ray". We aspire to make homes, offices, retail, hospitality and social spaces beautiful by creating lighting ambience to sync with your mood and decor.

Svarochi lights are brought to you by iBahn Illumination Pvt. Ltd., a company founded by professionals with a strong global track record in lighting.

Our mission is to drive the shift to Smart LED Lighting and make Svarochi the leading brand, by offering high functionality, locally relevant propositions at affordable prices, through continuous innovation in homes and social spaces.

Founded in 2016, Svarochi is now the leading Smart Lighting brand in India having established the largest base of Smart Lights points in home and social spaces.

Svarochi has a strong

Inhouse R&D team spearheading local innovation

**Sales, technical support and
Business Development team professionals**

Network of dealers and distributors across India

TEAM SVAROCHI

Senior Corporate Executives Passionate about Smart LED Lights



RAJEEV CHOPRA - Chief Executive Officer

Business professional with 28 years of global experience. Former CEO, Philips India. Former Global CEO, Business Group Home, Philips Lighting BV.



ARJUN SHAHANI - Chief Operating Officer

Business Professional with 28 years of experience across diverse businesses. Former Business Head, Luminares, Philips Lighting India. Former MD, Armstrong World Industries, India.



KUNAL CHAUDHURI - Chief Technology Officer

R&D Professional with more than 30 years of experience with numerous innovations in LED lighting. Former R&D Head, Luminares, Philips Lighting India.



SUDESHNA MUKHOPADHYAY - Chief Design Officer

Renowned industry expert in lighting applications with 30 years of global experience. Former Head of Philips Lighting Design Centre and Lighting Academy in India.



VIKRAM KESRI - Head - Sales

A seasoned techno-commercial executive having 18+ years of experience in channel/institutional sales, marketing and business development. Worked in Philips and additionally helped establish brands like HALONIX, EON & JUPITER in India.



KANCHAN GHOSAL - Head, Hardware R&D Operations

Professional with more than 30 years of experience in Lighting. Former R&D Head -LED Lamps and Lamp Drivers, Philips Lighting India.



ANKIT HIMATSINGKA - Head, Finance. Chartered Accountant

With more than 10 years of experience, he has held finance leadership roles at Richemont and ITC with in-depth experience.

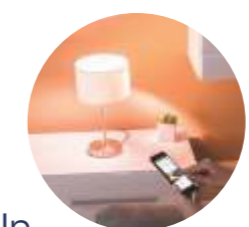
FOREWORD

We understand the need for advanced lighting solutions for today's homes, shops, offices, restaurants, hotels and social spaces. That's why we have put in our soul behind a smart lighting revolution that's right out of the box and enhances your living spaces.

Bringing alive a new age concept that's rooted in simplicity and impeccable designs. Usher in a bright change with Svarochi and change the way you illuminate your spaces.

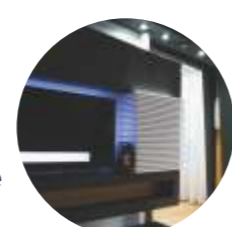
Experience Brilliant Possibilities with **App - Operated Wireless Smart Lighting**

Make your Homes, Restaurants, Cafes, Boutiques, Hotel Rooms, Shops, Show Windows or your office space Smart in a simple, and affordable way with Svarochi Smart Lighting solutions.



Just Plug In

No additional wiring, No WiFi hub is required to install or set-up the Smart Lighting system. Just Plug in and make your home and social space beautiful with Svarochi Smart Lighting.



Enhance The Ambiance

You can set the lights, whenever and however you want, to enhance the ambiance of your home and social space.



Reflect Your Mood

You can change settings to reflect your mood.



Choose the Settings

You can choose settings of the lights Individually or Group them in any manner you choose. You can save your preferred light setting as a Scene and recall it with a flick of your phone.



Entertain or Celebrate

Match the occasion to entertain your special guest or celebrate a private emotion.



Improve Your Well Being

Help in your everyday task to improve your well being and lessen eye strain. Set the right light color and intensity while you read, knit, meditate or exercise.



Match The Lights

You can create the most appropriate setting for every room to make it look the best. Match your light color with your wall color, or the color of your furnishing.



Bluetooth Mesh Technology

Svarochi Smart Lighting solution using Bluetooth Mesh Technology meets your everyday lighting control needs.



SIMPLE

AFFORDABLE

FLEXIBLE

STYLISH

SMART LIGHTING

Our products are based on **Bluetooth Mesh Technology** and available in following categories.

WARM & COOL



Switch ON and OFF, adjust intensity (dimming), set the light colour from warm yellow to cool white to match the décor.

BRIGHT & DIM



Switch ON and OFF and adjust intensity (dimming) in fixed colours only.

COLOR & DAYLIGHT



Switch ON and OFF, adjust intensity (dimming), select from 4 White light options I and choose from 16 million colors or library of preset static and dynamic effects.

COLOR & DAYLIGHT ^{Plus}



Switch ON and OFF, adjust intensity (dimming), tune the light colour seamlessly from warm yellow to cool and choose from 16 million colours or library of preset static and dynamic effects.

All products are for indoor use only. Dimming by mobile app only. Not suitable for phase-cut or voltage control dimmers.

Operating System	Android >5.0 iOS>8.1
Communication Protocol	BLE >4.0
Voltage/Frequency	230V/50Hz
Life	>25000 burning hours
Operating Temperature	0-45 deg C

Conditions for use

- This product is meant for lighting application and for indoor use only. Svarochi products are designed for normal home application and best operated within a room.
- Do not place the product on any hot surface. Not suitable for wet location or where water splash may be encountered.
- This product can be dimmed/controlled only by the Svarochi App and is not suitable for use with external dimmers.
- Switch off electrical power before fixing the downlight or for its removal, to prevent any accidental shock.
- Clean product surface with a soft cloth only, in switched OFF condition and after cooling.
- For safety and warranty reasons, do not open the downlight or driver assembly. Warranty of downlight will be void if the above conditions are not adhered to.
- Please contact us on our website or **Toll Free No.1-800-121-5610** (Mon -Fri 0930-1830 hrs) or write to us at info@svarochi.com in case of doubt.

- Compliance and standards
- Driver complying to IS15885 (Part 2 Section 13):2012
- Lamps complying to IS 16102 (Part I),
- Luminaires complying to IS 10322

Smart LED Products



ADDING SPARKLE
TO RELATIONSHIPS

SMART BULBS



SMART BULBS



General purpose smart LED bulbs to be used in table lamps, floor standing lamps, ceiling lights and wall brackets of your choice. Dim it to your preference, choose the right shade of white to match your décor or splash colours, to celebrate and to get the right light for creating moods.

Categories

Warm and Cool* – 9W , 12W

Color and Daylight Plus – 9W

Installation Notes

For indoor use only. Not to be used in fully enclosed luminaires or outdoor use. No additional wiring, no additional communication equipment required.

Technical Description

Diffuser - polycarbonate
 Body- - high temperature flame retardant plastic with metal inlay.
 Lamp cap i- Ni plated Aluminium - Available in B22/E27 versions.

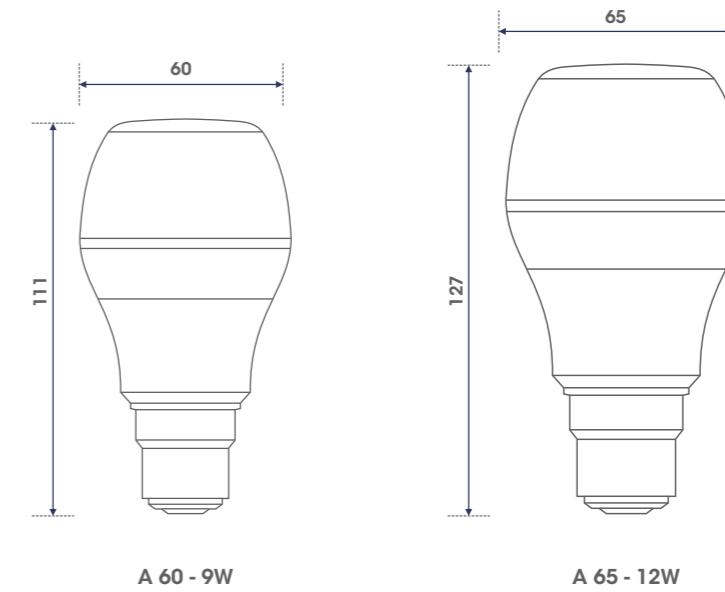
* Available for project orders on request only.



Bluetooth word mark and logos are registered trade marks owned by Bluetooth SIG Inc and such marks by iBahn illumination Pvt Ltd. is under license.

Data subject to change without notice

Dimensions (in mm)



Type No	Category Name	Wattage	Dimensions (Dia x Height) mm x mm	Cutout (mm)	CCT	Lumen output (lm)	Master Packing
SVB102/9W W&C B22/E27	Warm and Cool*	9W	111 x 60	B22/E27	2300K-6500K	810 lm at 6500K	20/box
SVB102/12W W&C B22/E27	Warm and Cool*	12W	127x65	B22/E27	2300K-6500K	1090 lm 6500K	20/box
SVB103/9W C&D PLUS B22/E27	Color and Daylight Plus	9W	111x60	B22/E27	>16mln colour + 2300-6500K	850 lm at 4000K	20/box

* Available for project orders on request only.



BRIGHTENING UP
MOST LOVED MOMENTS



SMART DOWNLIGHTS

Our wide range of Aspire, and Classic series of smart downlights gives you a balance between style and functionality to bring out the best in your décor.



ASPIRE SMART DOWN LIGHTS



Plastic downlights for general lighting of living rooms, bedrooms, children room, corridors, restaurants, cafeteria, break out rooms etc. recessed in gypsum, modular ceiling. Dim it to your preference, choose the right shade of white to match your décor or splash colours, to celebrate and to get the right light, create moods.

Categories

Bright And Dim - 8W, 12W, 16W

Warm and Cool - 8W, 12W, 16W

Color and Daylight, 8W, 12W

Color and Daylight Plus - 8W, 12W

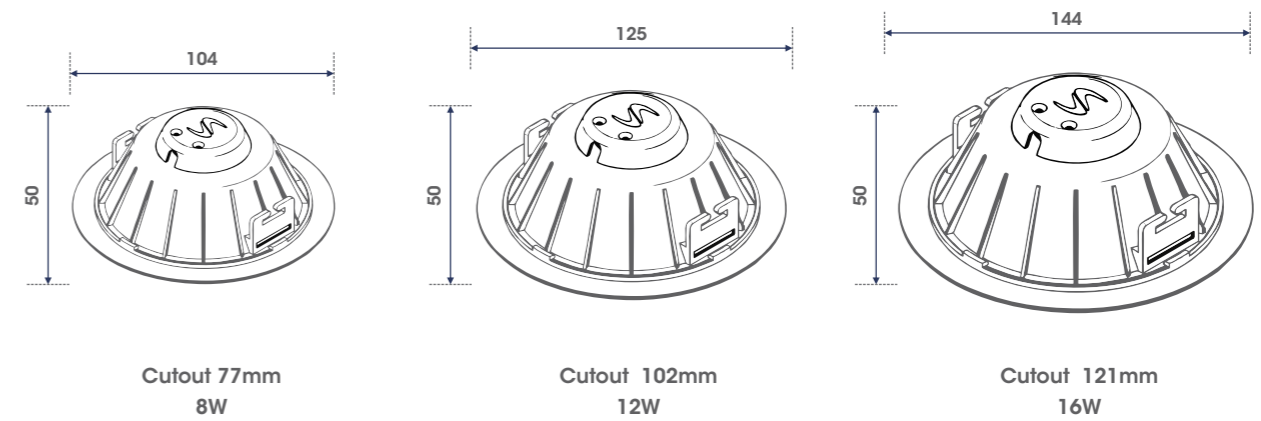
Installation Notes

For indoor use only.
No additional wiring, no additional communication equipment required.

Technical Description

Housing & Front Ring - UV stabilized polycarbonate with matt white finish
Back Engine piece - UV stabilized polycarbonate in sky blue colour
Diffuser - Polycarbonate - diffused finish
Spring - Ni plated Aluminium
Driver Housing - ABS

Dimensions (in mm)



Type No	Category Name	Wattage	Dimensions (Dia x Height) mm x mm	Cutout (mm)	CCT	Lumen output (lm)	Master Packing
SVB301/8W BD 3I	Bright and Dim	8W	104x50	77	WW-2700K CW-6500K	420 lm at 2700K 555 lm at 6500K	8/box
SVB301/12W BD 4I	Bright and Dim	12W	125x50	102	WW-2700K CW-6500K	830 lm at 2700K 950 lm at 6500K	8/box
SVB301/16W BD 5I	Bright and Dim	16W	144x50	121	WW-2700K CW-6500K	1220 lm at 2700K 1350 lm at 6500K	8/box
SVB302/8W W&C 5I	Warm and Cool	8W	104x50	77	2300K-6500K	555 lm at 6500K	8/box
SVB302/12W W&C 4I	Warm and Cool	12W	125 x 50	102	2300K-6500K	950 lm at 6500K	8/box
SVB302/16W W&C 5I	Warm and Cool	16W	144 x 50	121	2300K-6500K	1350 lm at 6500K	8/box
SVB303/8W C&D 3I	Color and Daylight	8W	104X50	77	16mIn colour + 4000K	500 lm at 4000K	8/box
SVB303/12W C&D 4I	Color and Daylight	12W	125X50	102	16mIn colour + 4000K	860 lm at 4000K	8/box
SVB303/8W C&D-P 3I	Color and Daylight Plus	8W	104X50	77	2300K-6500K +16mIn colour	640 lm at 4000K	8/box
SVB303/12W C&D-P 4I	Color and Daylight Plus	12W	125X50	102	2300K-6500K +16mIn colour	1020 lm at 4000K	8/box



Bluetooth word mark and logos are registered trade marks owned by Bluetooth SIG Inc and such marks by iBahn illumination Pvt Ltd. is under license.

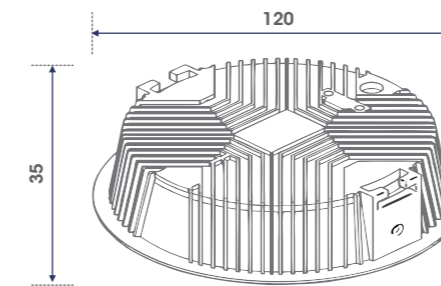
CLASSIC ROUND SMART DOWN LIGHTS



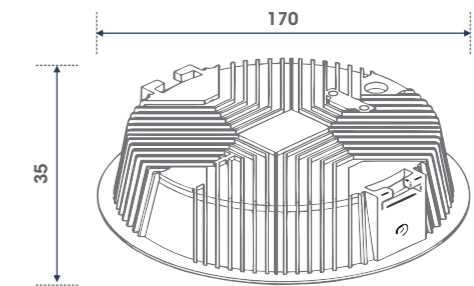
WARM & COOL

Low depth panel lights for general lighting of living rooms, bedrooms, children room, corridors, restaurants, cafeteria, break out rooms etc. recessed in gypsum, modular ceiling. Dim it to your preference, choose the right shade of white to match your décor to get the right ambience and, create moods.

Dimensions (in mm)



Cutout 102mm
12W



Cutout 250mm
16W

Categories

Warm and Cool - 12W, 16W

Installation Notes

For indoor use only.
No additional wiring, no additional communication equipment required.

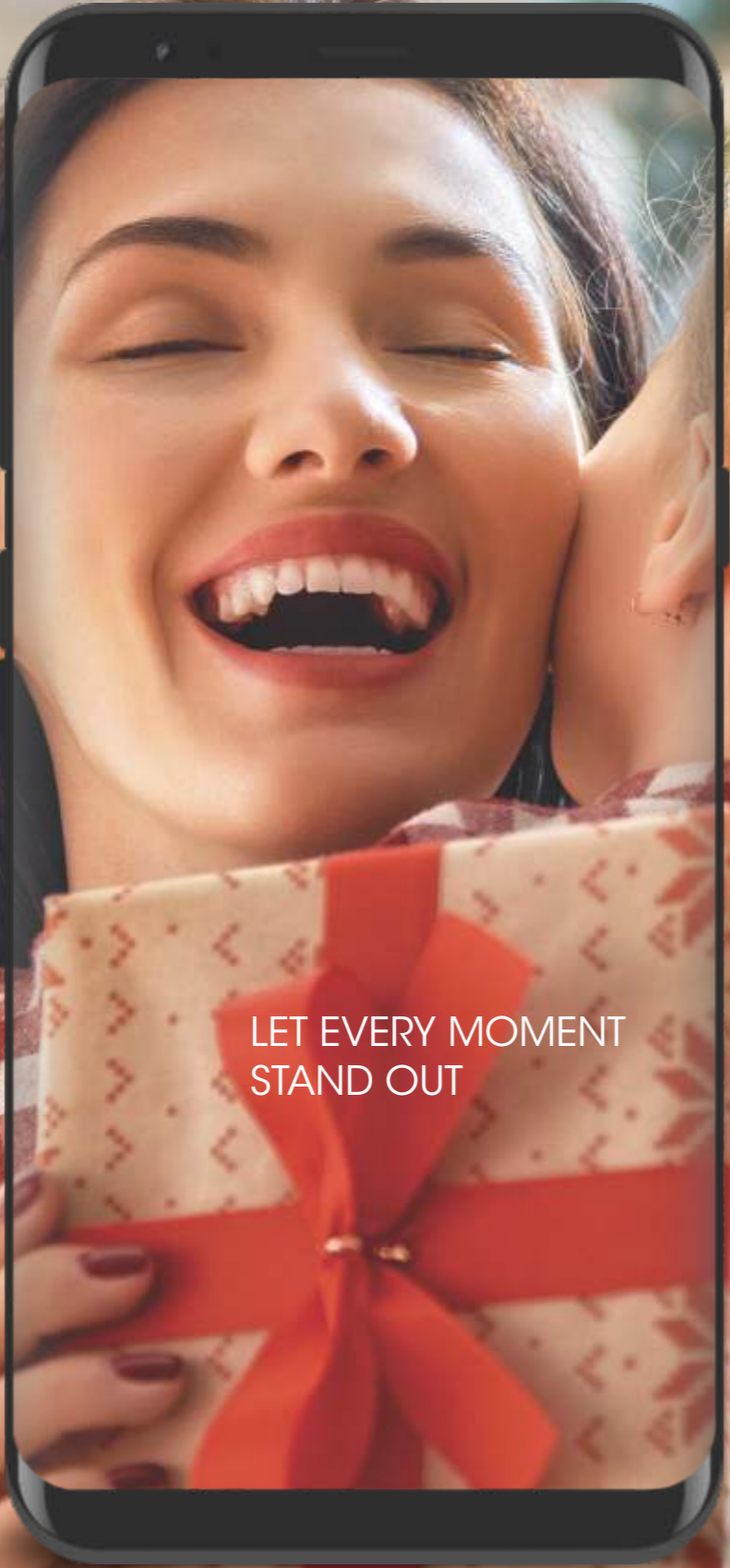
Technical Description

Housing & Front Ring - Cast Aluminium with matt white finish
Spring - Ni plated Aluminium
Diffuser - Polycarbonate Diffused
Driver Housing - ABS

Type No	Category Name	Wattage	Dimensions (Dia x Height) mm x mm	Cutout (mm)	CCT	Lumen output (lm)
SVB602/12W M-R W&C 4I	Warm and Cool	12W	120x35	102	2300K-6500K	840 lm at 6500K
SVB602/16W M-R W&C 6I	Warm and Cool	16W	170 x 35	150	2300K-6500K	1300 lm at 6500K



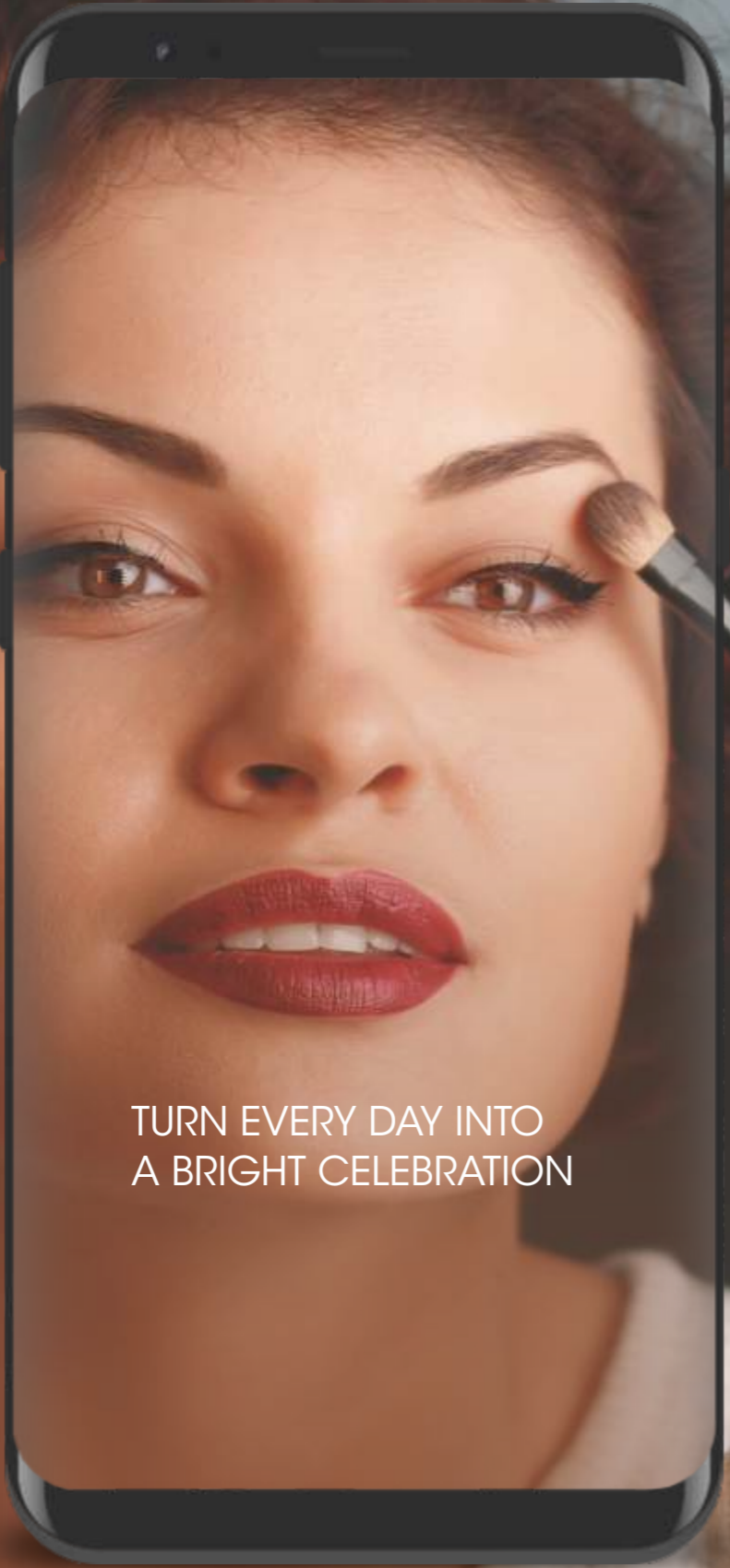
Bluetooth word mark and logos are registered trade marks owned by Bluetooth SIG Inc and such marks by iBahn illumination Pvt Ltd. is under license.



LET EVERY MOMENT
STAND OUT

COB SMART SPOTLIGHTS

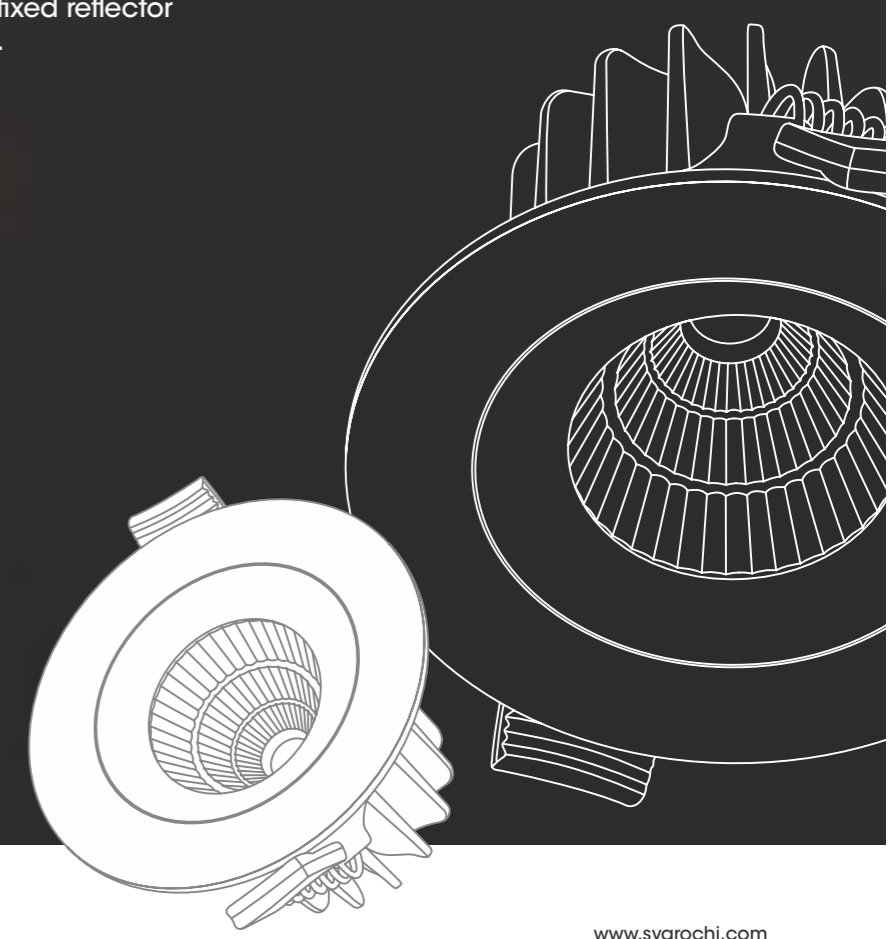
Add the sparkle in your space and precious artefacts by accentuating them with our wide range of Chip on Board Smart Spotlights.



TURN EVERY DAY INTO
A BRIGHT CELEBRATION

PRIMA SMART SERIES

Smart Spotlights for Accent
lighting, with fixed reflector
based optics.



PRIMA FIXED SMART SPOTS

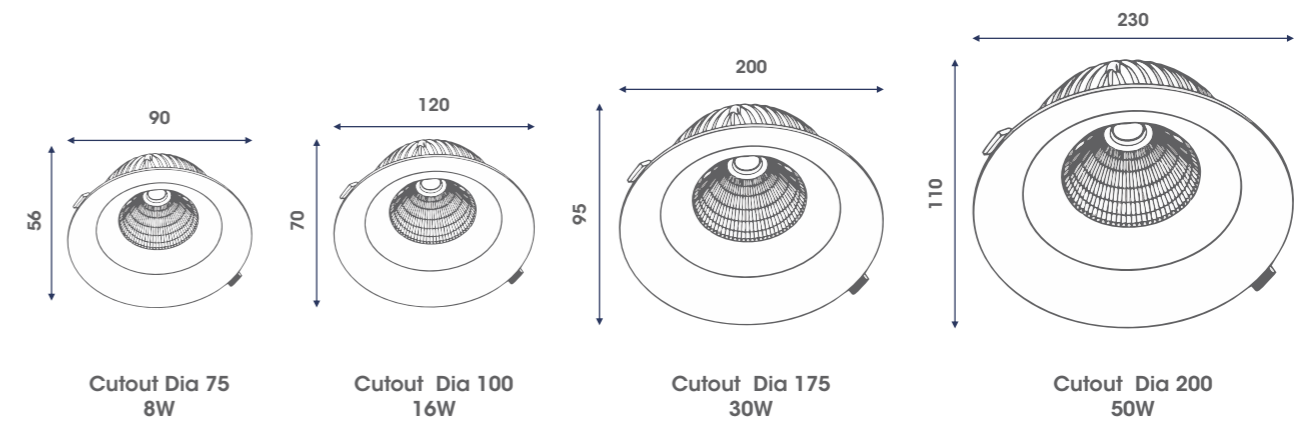


BRIGHT & DIM

WARM & COOL

Accent lighting, with fixed optics for living rooms, bedrooms, retail shops, boutiques, restaurants, cafeteria, conference rooms, break out rooms etc. can be recessed in gypsum, modular ceiling. Dim it to your preference and choose the right shade of white to match your décor and make your space come live.

Dimensions (in mm)



Categories

Bright and Dim - 8W, 16W
Warm and Cool - 8W, 16W, 30W, 50W*

Installation Notes

For indoor use only.
No additional wiring, no additional communication equipment required.

Technical Description

Housing - Curved body of cast Aluminium - matt white finish .Radiator heat sink
Spring - Ni plated Aluminium
Optical system - Reflector and high transmittance lens. Beam Angle 2x18 deg
Driver Housing - ABS

Type No	Category Name	Wattage	Dimensions (Dia x Height) mm x mm	Cutout (mm)	CCT	Lumen output (lm)	Master Packing
SVB401F/8W B&D WW /NW 3I FIX	Bright and Dim	8W	90 x 56	75	WW-2700K/ NW-4000K	530 lm at 2700K 600 lm at 400K	8/box
SVB401F/16W B&D WW/NW 4I FIX	Bright and Dim	16W	120 x 70	100	WW-2700K/ NW-4000K	1090 lm at 2700K 1280 lm at 4000K	8/box
SVB402F/8W W&C 3I FIX	Warm and Cool	8W	90 x 56	75	2700K-5700K	560 lm at 5700K	8/box
SVB402F/16W W&C 3I FIX	Warm and Cool	16W	120 x 70	100	2700K-5700K	1100 lm at 5700K	8/box
SVB402F/30W W&C FIX	Warm and Cool	30W	200 x 95	175	2700K-5700K	30W Lumen output -2100 lm@	4/box
SVB402F/50W* W&C FIX	Warm and Cool	50W	230 x 110	200	2700K-5700K	50W Lumen output Data on request	4/box

*50W available on Project basis MOQ apply



Bluetooth word mark and logos are registered trade marks owned by Bluetooth SIG Inc and such marks by iBahn illumination Pvt Ltd. is under license.



PRIMA SWIVEL SMART SPOTS



BRIGHT & DIM

WARM & COOL

Accent lighting, with adjustable swing optics to highlight artefacts in living rooms, bedrooms, retail shops, boutiques, restaurants, cafeteria, conference rooms, break out rooms etc. can be recessed in gypsum, modular ceiling. Dim it to your preference and choose the right shade of white to match your décor and make your space come live.

Categories

Bright and Dim - 8W
Warm and Cool - 8W, 12W, 16W, 30W

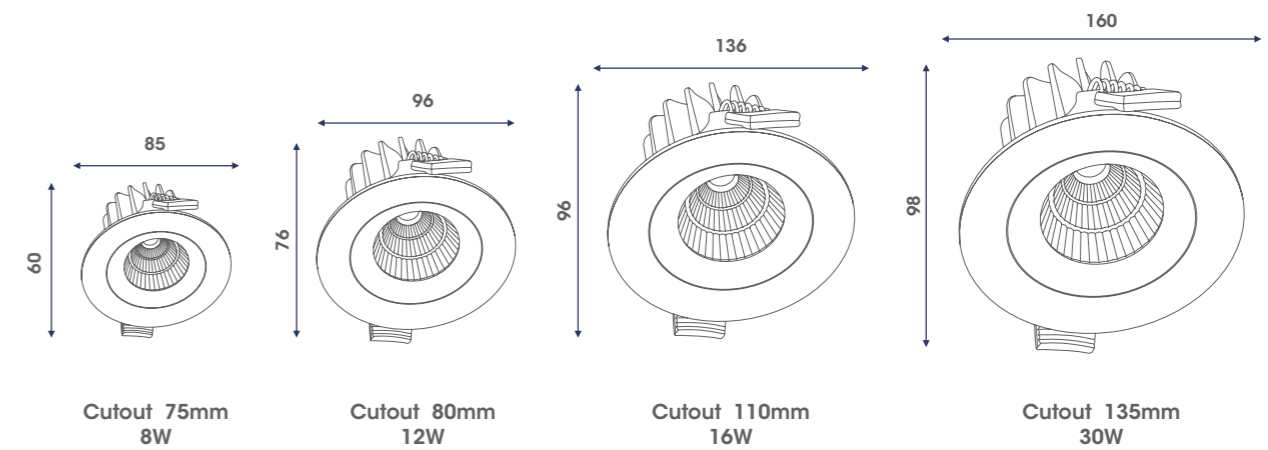
Installation Notes

For indoor use only.
No additional wiring, no additional communication equipment required.

Technical Description

Housing - Cast Aluminium - matt white finish, adjustable optical piece. Radiator heat sink
Spring - Ni plated Aluminium
Optical system - Reflector and high transmittance lens. Beam Angle 2x18 deg
Driver Housing - ABS

Dimensions (in mm)



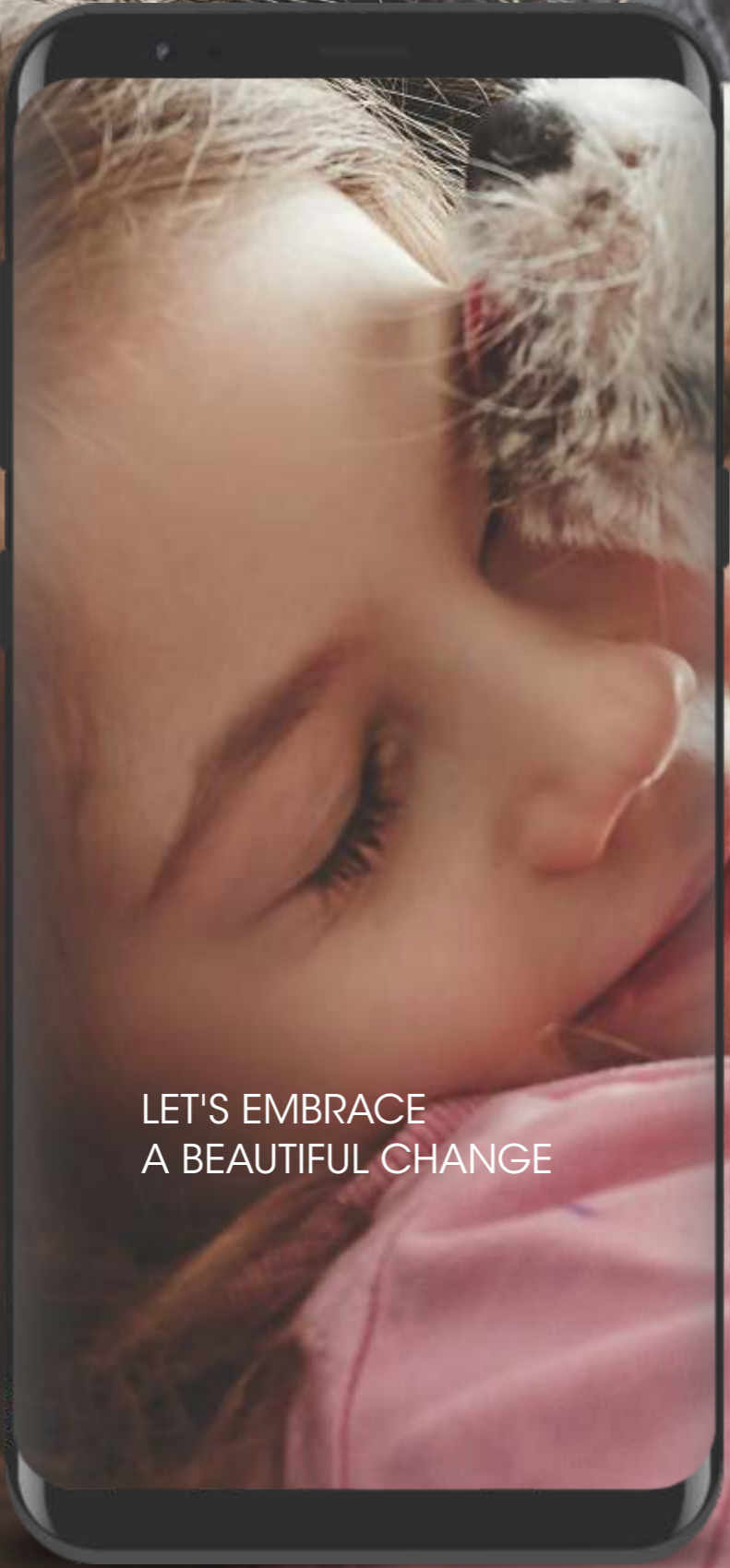
Type No	Category Name	Wattage	Dimensions (Dia x Height) mm x mm	Cutout (mm)	CCT	Lumen output (lm)	Master Packing
SVBB401S/8W B&D WW/NW 3I SWV	Bright and Dim	8W	85 x 60	75	WW-2700K/ NW-4000K	530 lm at 2700K 600 lm at 4000K	8/box
SVBB402S/8W W&C 3I SWV	Warm and Cool	8W	85 x 60	75	2700K-5700K	560 lm at 5700K	8/box
SVB402S/12W W&C 3I SWV	Warm and Cool	12W	96x76	80	2700K-5700K	720 lm at 5700K	8/box
SVB402S/16W W&C 4I SWV	Warm and Cool	16W	136x96	110	2700K-5700K	980 lm at 5700K	8/box
SVB402S/30W W&C SWV	Warm and Cool	30W	160x98	135	2700K-5700K	2200 lm at 5700K	8/box

*50W available on Project basis MOQ apply



Bluetooth word mark and logos are registered trade marks owned by Bluetooth SIG Inc and such marks by iBahn illumination Pvt Ltd. is under license.





LET'S EMBRACE
A BEAUTIFUL CHANGE

ELITE SMART SERIES

Smart Spotlights for Accent
lighting, with lens based,
low glare optics.



ELITE FIXED SMART SPOTLIGHTS



WARM & COOL

Deep Recessed, with lens based optics for total viewing comfort for living rooms, bedrooms, retail shops, boutiques, restaurants, cafeteria, conference rooms, break out rooms etc. can be recessed in gypsum, modular ceiling. Dim it to your preference and choose the right shade of white to match your décor and make your space come live.

Categories

Warm and Cool - 8W, 16W

Installation Notes

For indoor use only.
No additional wiring, no additional communication equipment required.

Technical Description

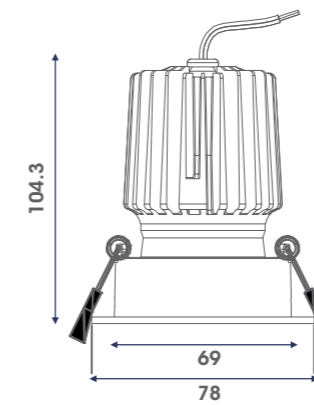
Housing - Diecast Aluminum housing, with radiator heat sink, painted black
Optical system - built in lens based reflector with high transmitting lens.
Attachment - Conical profile with round cutout, cast aluminum, white painted
Spring - Ni plated Aluminium
Beam Angle, 2x 7.5 deg / 2x18 deg
Driver Housing - ABS

Elite 90 series, Ra>90, is available on request.
Conditions apply for MoQ and Leadtime
Prices on request

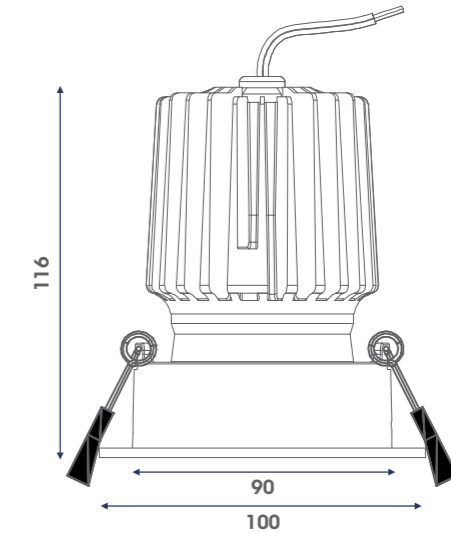
App control via **Bluetooth**

Bluetooth word mark and logos are registered trade marks owned by Bluetooth SIG Inc and such marks by iBahn illumination Pvt Ltd. is under license.

Dimensions (in mm)



Cutout 70mm
Elite 8W +RF3



Cutout 90mm
Elite 16W +RF2

Type No	Dimensions (Dia x Height) mm x mm	Cutout (mm)	CCT	Lumen output (lm)	Master Packing
SVB502/8W /RF3WC 3I	78x115	70mm	2700K-5700K	580 lm at 5700K	4/box
SVB502/16W /RF2 WC 4I	100x118	90mm	2700K-5700K	1120 lm at 5700K	4/box



ELITE CURVE SMART SPOTLIGHTS



WARM & COOL

Deep Recessed, curved housing with lens based optics for total viewing comfort for living rooms, bedrooms, retail shops, boutiques, restaurants, cafeteria, conference rooms, break out rooms etc. can be recessed in gypsum, modular ceiling. Dim it to your preference and choose the right shade of white to match your décor and make your space come alive.

Categories

Warm and Cool - 8W, 16W,

Installation Notes

For indoor use only.
No additional wiring, no additional communication equipment required.

Technical Description

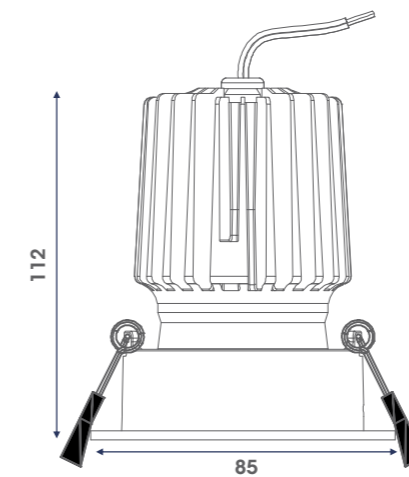
Housing - Diecast Aluminum housing, with radiator heat sink, painted black
Optical system - built in lens based reflector with high transmitting lens.
Attachment - Curved profile with round cutout, cast aluminum, white painted
Spring - Ni plated Aluminium
Beam Angle, 2x 7.5 deg / 2x18 deg
Driver Housing - ABS

Elite 90 series, Ra>90, is available on request.
Conditions apply for MoQ and Leadtime
Prices on request

App control via **Bluetooth**

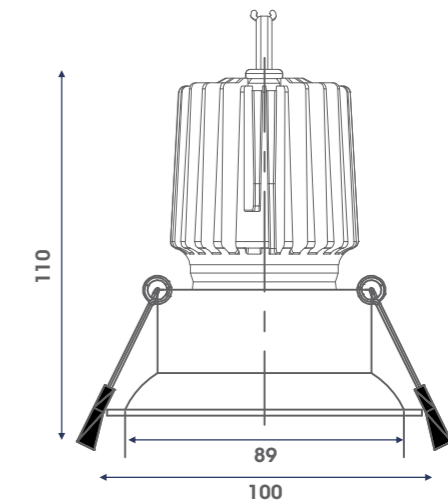
Bluetooth word mark and logos are registered trade marks owned by Bluetooth SIG Inc and such marks by iBahn illumination Pvt Ltd. is under license.

Dimensions (in mm)



Cutout 70mm

8W+ RF8



Cutout 90mm

16W+ RF5

Type No	Dimensions (Dia x Height) mm x mm	Cutout (mm)	CCT	Lumen output (lm)	Master Packing
SVB502/8W /RF8 WC 3I	85 x 112	70mm	2700K-5700K	580 lm at 5700K	4/box
SVB502/16W /RF5 WC 4I	100 x 112	90mm	2700K-5700K	1120 lm at 5700K	4/box



ELITE SWING SMART SPOTLIGHTS



WARM & COOL



Deep Recessed, adjustable housing, with lens based optics for total viewing comfort for living rooms, bedrooms, retail shops, boutiques, restaurants, cafeteria, conference rooms, break out rooms etc. can be recessed in gypsum, modular ceiling. Dim it to your preference and choose the right shade of white to match your décor and make your space come live.

Categories

Warm and Cool - 8W, 16W,

Installation Notes

For indoor use only.
No additional wiring, no additional communication equipment required.

Technical Description

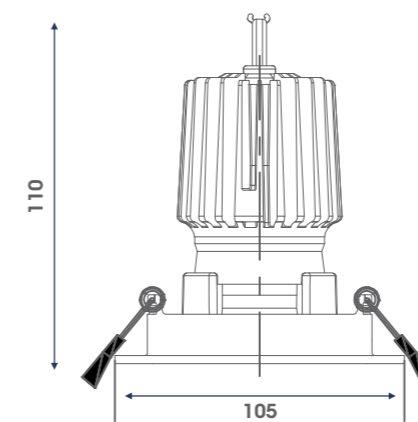
Housing - Diecast Aluminum housing, with radiator heat sink, painted black
Optical system - built in lens based reflector with high transmitting lens.
Attachment - Round profile with adjustable piece, round cutout, cast aluminum, white painted
Spring - Ni plated Aluminium
Beam Angle, 2x 7.5 deg / 2x18 deg
Driver Housing - ABS

Elite 90 series, Ra>90, is available on request.
Conditions apply for MoQ and Leadtime
Prices on request

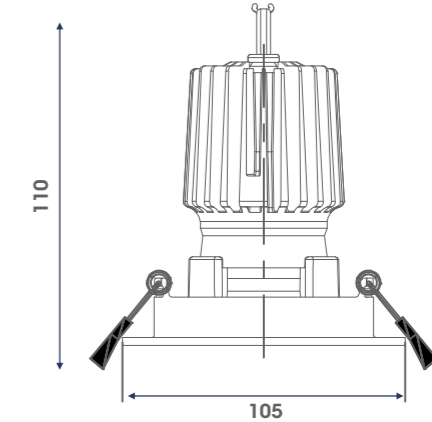
App control
via **Bluetooth**

Bluetooth word mark and logos are registered
trade marks owned by Bluetooth SIG Inc and such
marks by iBahn illumination Pvt Ltd. is under license.

Dimensions (in mm)



Cutout 90mm
8W+ RA3



Cutout 90mm
16W+ RA3

Type No	Dimensions (Dia x Height) mm x mm	Cutout (mm)	CCT	Lumen output (lm)	Master Packing
SVB502/8W /RA3 WC 4I	105x110	90mm	2700K-5700K	580 lm at 5700K	4/box
SVB502/16W /RA3 WC 4I	105x110	90mm	2700K-5700K	1120 lm at 5700K	4/box



ELITE ANGLE SMART SPOTLIGHTS



WARM & COOL

Deep Recessed, adjustable housing, with lens based optics for total viewing comfort for living rooms, bedrooms, retail shops, boutiques, restaurants, cafeteria, conference rooms, break out rooms etc. can be recessed in gypsum, modular ceiling. Dim it to your preference and choose the right shade of white to match your décor and make your space come alive.

Categories

Warm and Cool - 8W, 16W,

Installation Notes

For indoor use only.
No additional wiring, no additional communication equipment required.

Technical Description

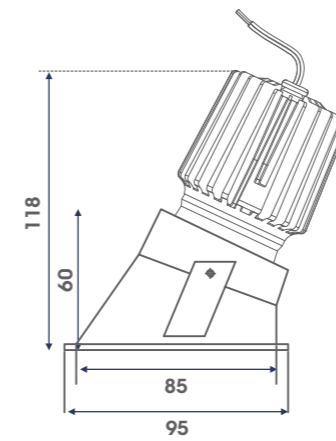
Housing - Diecast Aluminum housing, with radiator heat sink, painted black
Optical system - built in lens based reflector with high transmitting lens.
Attachment - Angular profile, with round cutout, cast aluminum, white painted
Spring - Ni plated Aluminium
Beam Angle, 2x 7.5 deg / 2x18 deg
Driver Housing - ABS

Elite 90 series, Ra>90, is available on request.
Conditions apply for MoQ and Leadtime
Prices on request

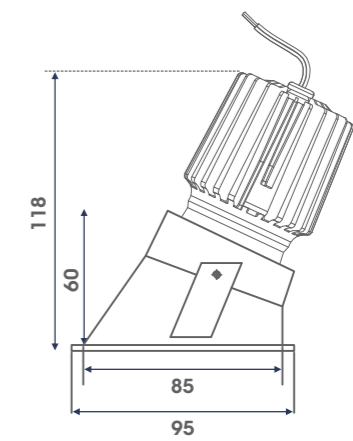
App control
via **Bluetooth**

Bluetooth word mark and logos are registered
trade marks owned by Bluetooth SIG Inc and such
marks by iBahn illumination Pvt Ltd. is under license.

Dimensions (in mm)



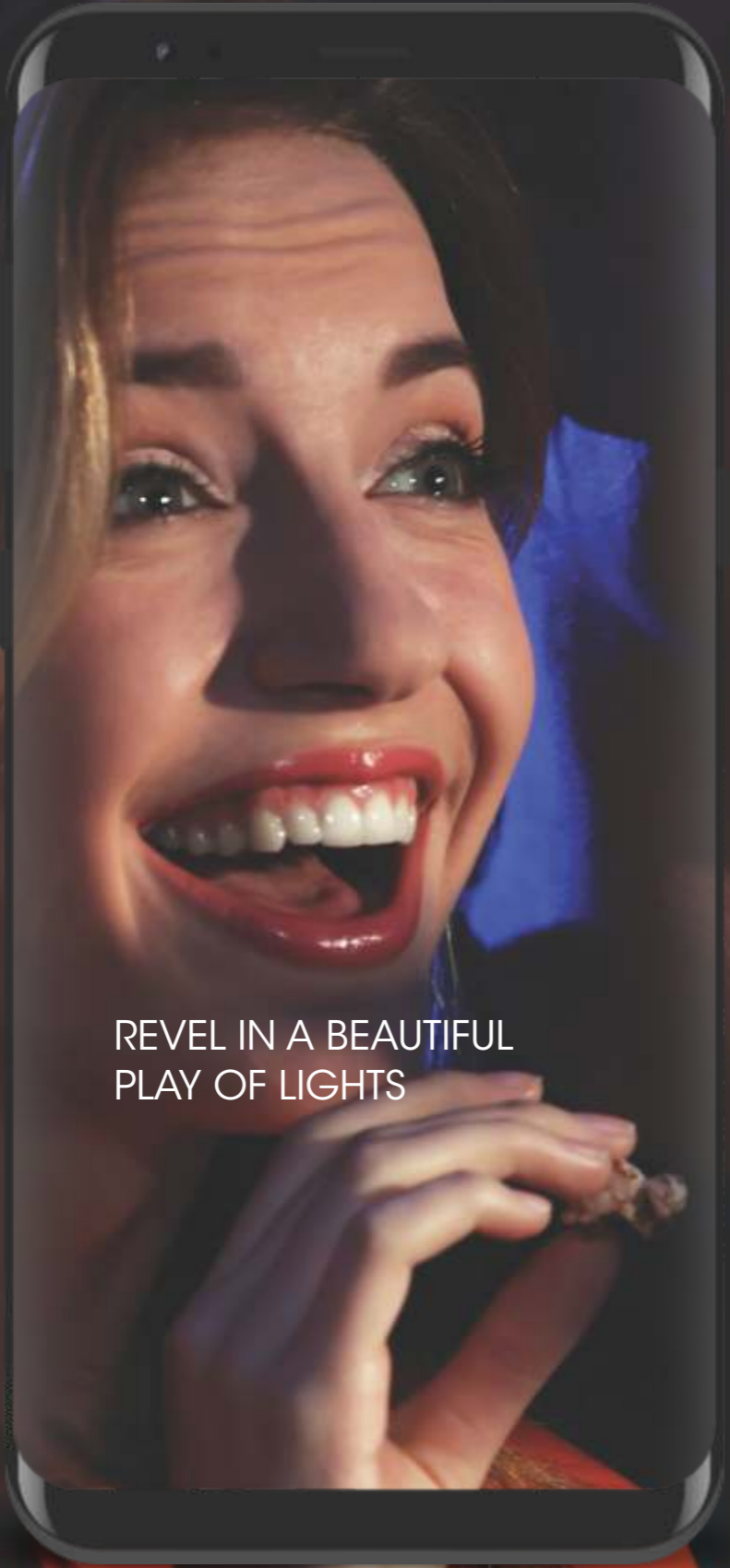
Cutout 85mm
8W+ RF10



Cutout 85mm
16W+ RF10

Type No	Dimensions (Dia x Height) mm x mm	Cutout (mm)	CCT	Lumen output (lm)	Master Packing
SVB502/8W /RF10 WC 3I	95x145	85mm	2700K-5700K	580 lm at 5700K	4/box
SVB502/16W /RF10 WC 4I	95x145	85mm	2700K-6500K	1120 lm at 5700K	4/box

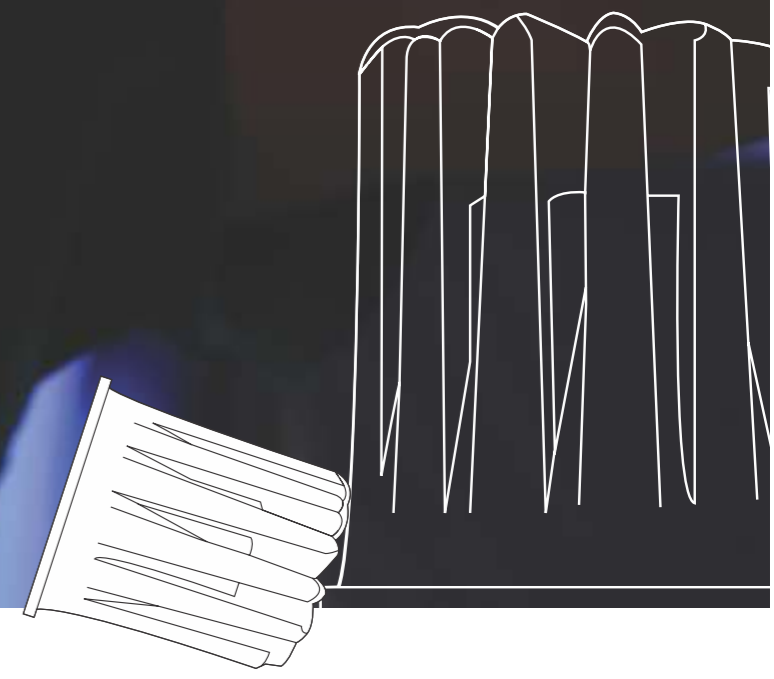




REVEL IN A BEAUTIFUL
PLAY OF LIGHTS

SMART MODULES AND ATTACHMENT

Create ultimate flexibility in making your space beautiful with our series of smart modules and attachments in Prima and Elite designs.



PRIMA SLIM SMART MODULAR SPOTS



Smart LED Module, with reflector based fixed optics, match the MR16 dimensions, can be fixed to your choice of attachments for accent lighting in living rooms, bedrooms, retail shops, boutiques, restaurants, cafeteria, conference rooms, break out rooms etc. can be recessed in gypsum, modular ceiling. The modules are suitable for both top and bottom mounting Dim it to your preference and choose the right shade of white to match your décor and make your space come alive.

Categories

Warm and Cool - 8W, 12W

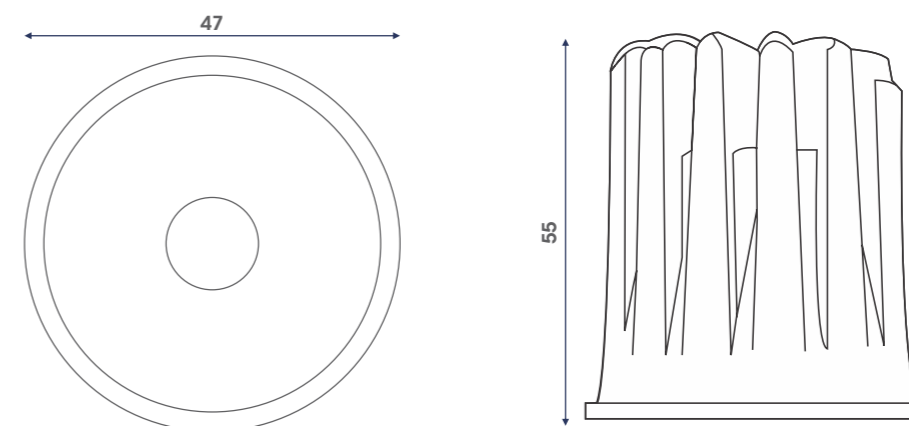
Installation Notes

For indoor use only.
No additional wiring, no additional communication equipment required.

Technical Description

Housing - Cast Aluminium with matt white finish. Radiator heat sink
Optical system - Reflector and high transmittance lens. Beam Angle 2x18 deg
Driver Housing - ABS

Dimensions (in mm)



8W/ 12W

Type No	Category Name	Wattage	Dimensions (Dia x Height) mm x mm	CCT	Lumen output (lm)	Master Packing
SVB 4002/ 8W WC	Warm and Cool	8W	47 x55	2300-5700	520 lm at 5700 K	8/box
SVB 4002/ 12W WC	Warm and Cool	12W	47 x55	2300-5700	780 lm at 5700K	8/box



*Sold separately as modules or with Svarochi RF attachments



Bluetooth word mark and logos are registered trade marks owned by Bluetooth SIG Inc and such marks by iBahn illumination Pvt Ltd. is under license.

ELITE SLIM MODULAR SPOTS



Smart LED Module, with reflector based fixed optics, match the MR16 dimensions, can be fixed to your choice of attachments for accent lighting in living rooms, bedrooms, retail shops, boutiques, restaurants, cafeteria, conference rooms, break out rooms etc. can be recessed in gypsum, modular ceiling. The modules are suitable for both top and bottom mounting Dim it to your preference and choose the right shade of white to match your décor and make your space come alive.

Categories

Warm and Cool - 12W

Installation Notes

For indoor use only.
No additional wiring, no additional communication equipment required.

Technical Description

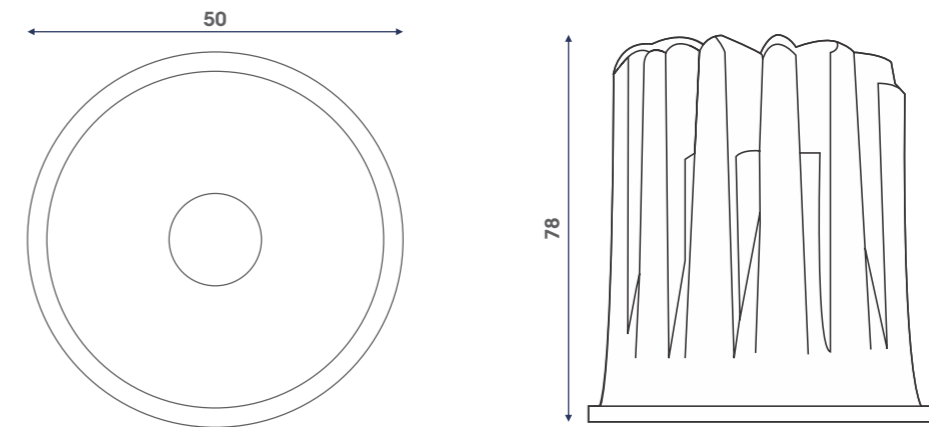
Housing - Cast Aluminium with matt black finish. Radiator heat sink
Optical system - Lens based and high transmittance lens. Beam Angle 2x18 deg
Driver Housing - ABS

Elite 90 series, Ra>90, is available on request.
Conditions apply for MoQ and Leadtime
Prices on request



Bluetooth word mark and logos are registered trade marks owned by Bluetooth SIG Inc and such marks by iBahn illumination Pvt Ltd. is under license.

Dimensions (in mm)



Type No	Category Name	Wattage	Dimensions (Dia x Height) mm x mm	CCT	Lumen output (lm)	Master Packing
SVB 51002/12W WC	Warm and Cool	12W	50 x 78	2300-5700	780 lm at 5700K	8/box



ELITE MODULAR SPOTS



Smart LED Module, with reflector based fixed optics, match the MR16 dimensions, can be fixed to your choice of attachments for accent lighting in living rooms, bedrooms, retail shops, boutiques, restaurants, cafeteria, conference rooms, break out rooms etc. can be recessed in gypsum, modular ceiling. The modules are suitable for both top and bottom mounting Dim it to your preference and choose the right shade of white to match your décor and make your space come alive.

Categories

Warm and Cool - 8W, 16W

Installation Notes

For indoor use only.
No additional wiring, no additional communication equipment required.

Technical Description

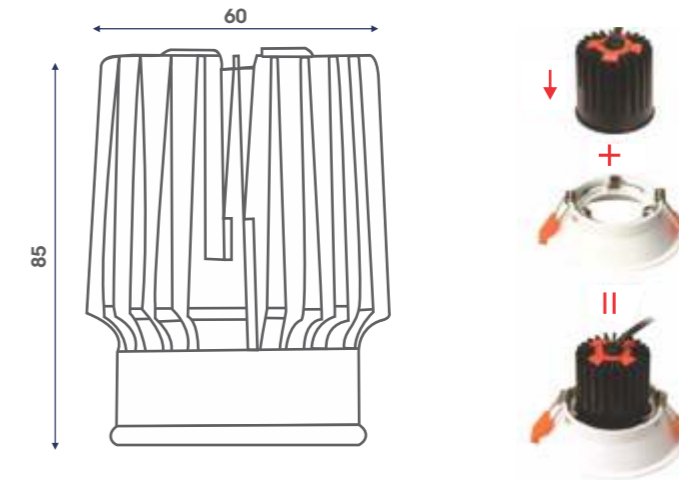
Housing - Cast Aluminium with matt black finish. Radiator heat sink
Optical system - Lens based and high transmittance lens. Beam Angle 2x18 deg
Driver Housing - ABS

*Sold separately as modules or with attachments



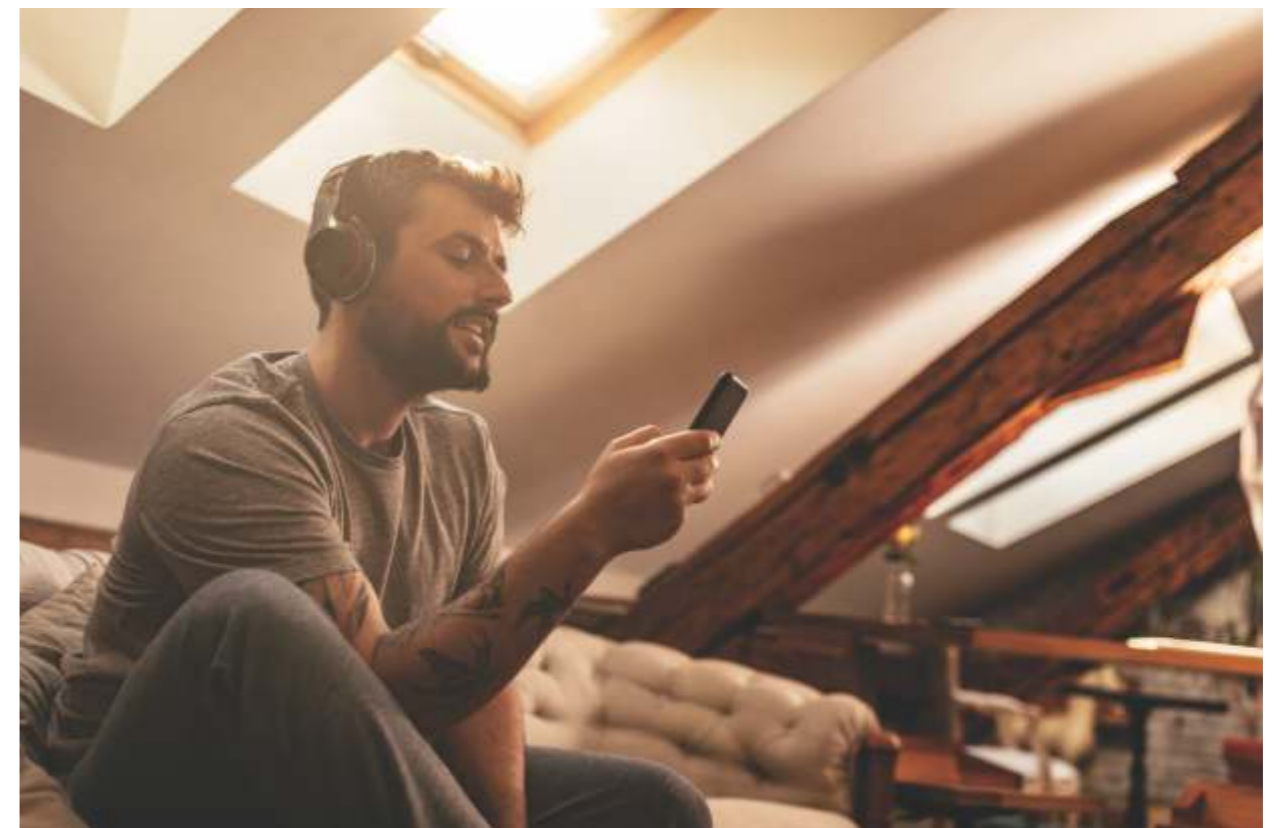
Bluetooth word mark and logos are registered trade marks owned by Bluetooth SIG Inc and such marks by iBahn illumination Pvt Ltd. is under license.

Dimensions (in mm)



8W and 16W

Type No	Category Name	Wattage	Dimensions (Dia x Height) mm x mm	CCT	Lumen output (lm)	Master Packing
SVB 5002/ 8W WC	Warm and Cool	8W	60 x 85	2300-5700	580 lm at 5700K	8/box
SVB 5002/ 16W WC	Warm and Cool	16W	60 x 80	2300-5700	1120 lm at 5700K	8/box



ATTACHMENTS* FOR PRIMA AND ELITE SMART MODULES

Series of attachments which can be fitted into Prima and Elite Modules. Attachments are cast aluminium and painted white as standard option.

*Black finish available for project orders MOX and lead times apply



Deep Conical profile
RF 2 Fixed



Shallow Conical profile
RF 3 Fixed



Deep Curved profile
RF 8 Curve



Shallow Curved profile
RF 5 Curve



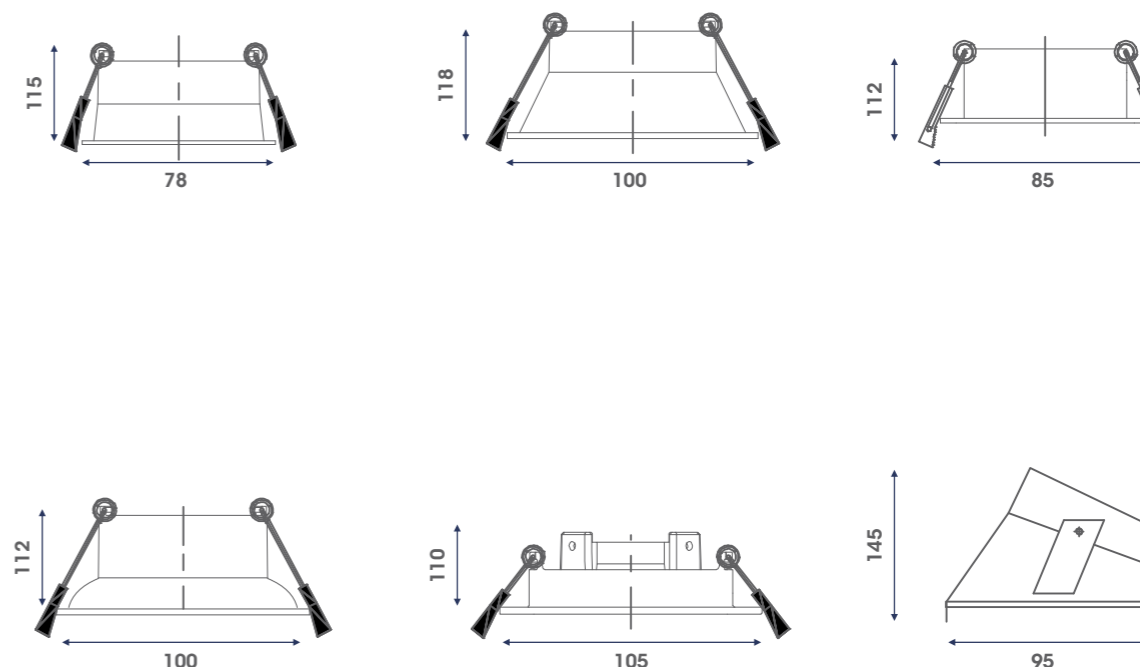
Adjustable profile
RA3 Swing



Angular profile
RF 10 Angle

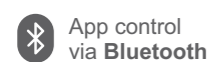
ATTACHMENTS

Dimensions (in mm)



Family Name	Type No	Dimensions (Dia x Height) mm x mm	Cutout (mm)
Fixed Round RF3-3I	SVA - 5099 RF3	78x115	70
Fixed Round RF2-4I	SVA - 5099 RF2	100x118	90
Fixed Curve RF8 - 3I	SVA - 5099 RF8	85 x 112	70
Fixed Curve RF54I	SVA - 5099 RF5	100 x112	90
Swing RA3	SVA - 5099 RA3	105x110	90
Angle RF 10-	SVA - 5099 RF10	95x145	85

*Not sold loose



App control via Bluetooth

Bluetooth word mark and logos are registered trade marks owned by Bluetooth SIG Inc and such marks by iBahn illumination Pvt Ltd. is under license.



EVERY LIGHT ADDS
TO THE LOOK

PRIMA FLEXISTRIP SMART LED STRIPLIGHTS

Create ultimate flexibility in making your space beautiful with our series of smart modules and attachments in Prima and Elite designs.



PRIMA FLEXISTRIP SMART STRIPLIGHTS



Flexible 24V LED Strips with silicon cover on 3M mounting strip at the back. Can be used for profile lights in coves, or back lighting of display units /furniture in living rooms, corridors, showrooms, cafeteria, restaurant, hotel lobbies, reception, breakout areas etc.

Categories

Warm and Cool - 8W/M - 5 m reels*2 m reels on project basis MOQ/lead times apply)
Color and Daylight Plus - 5m and 2 m reels

5 m & 2m extension strips and joining accessories for project orders only.

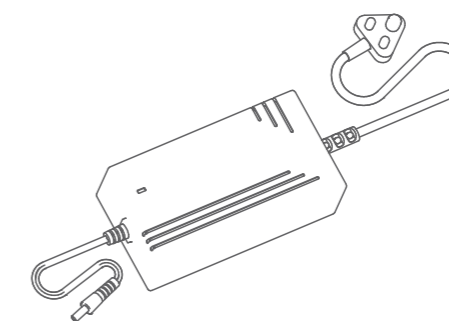
Installation Notes

For indoor use only. 3M adhesive strips for direct mounting can be used in profiles (not supplied by Svarochi)
The strips can be cut in designated markings.
AC/DC Power Adapter and controller required for operations.

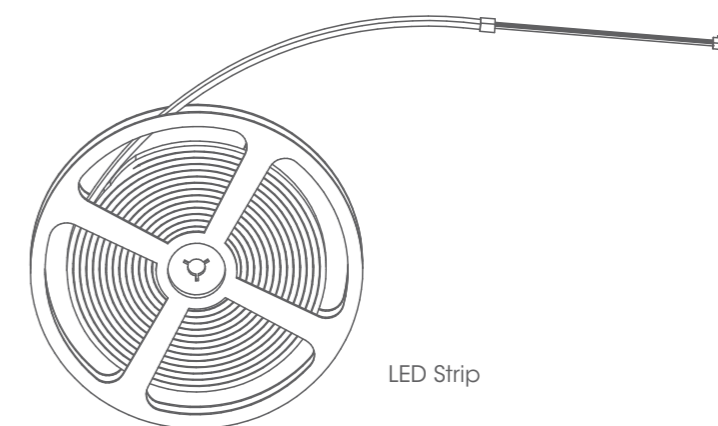
Technical Description

Housing - SMD 2835 LED, 120 nos/m modules mounted on MPCB. Silicon Cover ensures IP65 protection but for indoor use only.
Controller Housing - ABS
Power Adapter - 60W (upto 7m), 36W (upto 4m)

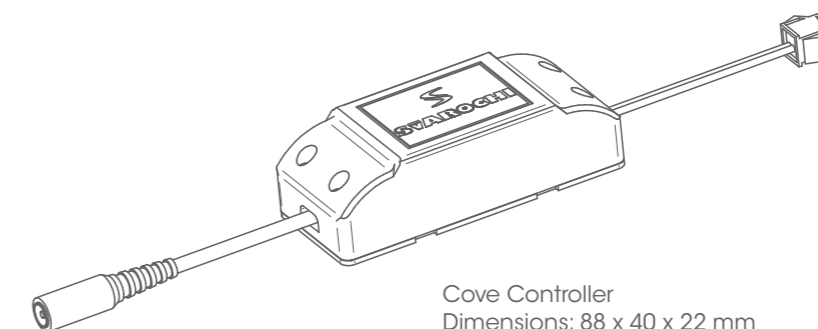
Line Drawing: Individual Items



Power Adapter
Dimensions: 125 x 68 x 40 mm

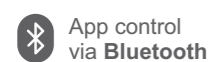


LED Strip

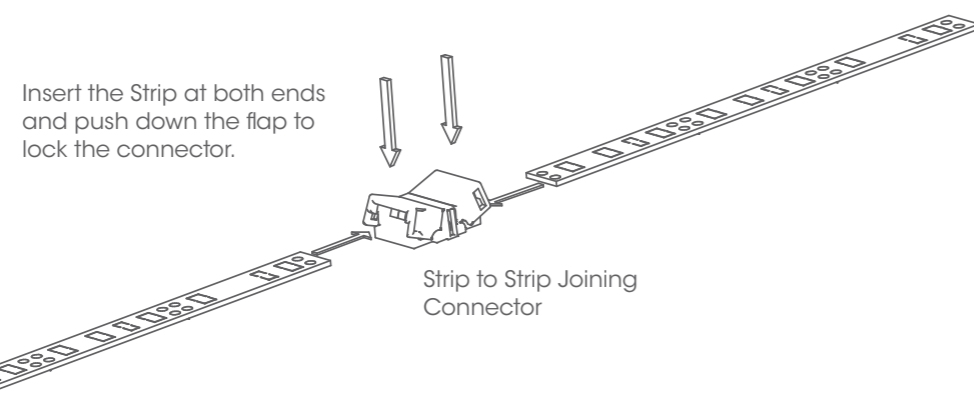
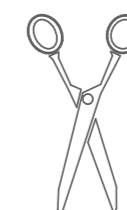
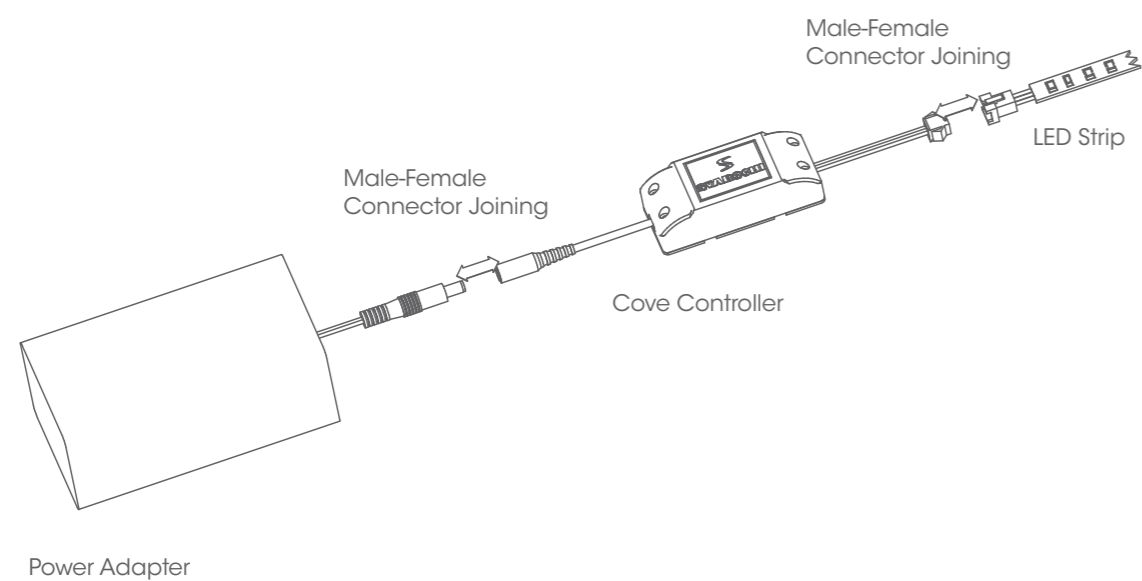


Cove Controller
Dimensions: 88 x 40 x 22 mm

*5m and 2m extension strip available with input and output leads



Bluetooth word mark and logos are registered trade marks owned by Bluetooth SIG Inc and such marks by iBahn illumination Pvt Ltd. is under license.



Category	Type No	Category Name	Wattage	Dimensions (Dia x Height) mm x mm	CCT	Lumen output (lm)
LED Strip 5m reel with 60W power adapter and controller	SVB 402-5/ 40W 24V Flex W&C 5m	Warm and Cool	8W/m	5000 x 13	2200K-6500K	120 LED/m CW- 740 lm/M
LED Strip 2m reel with 36W power adapter and controller	SVB 402-2/ 16W 24V Flex W&C 2m	Warm and Cool	8W/m	2000 x 13	2200K-6500K	120 LED/m CW- 740 lm/M
LED Strip 5m reel with 60W power adapter and controller	SVB 403-5/ 40W 24V Flex C&D P 5m	Color and Daylight Plus	8W/m	5000 x 13	2200K-6500K + 16 mln colours	120 LED/m CW- xx lm/M
LED Strip 2m reel with 36W power adapter and controller	SVB 403-2/ 16W 24V Flex C&D P 2m	Color and Daylight Plus	8W/m	2000 x 13	2200K-6500K + 16 mln colours	121 LED/m CW- xx lm/M

Extension strips, separate controller and power adaptations available against project order. Please refer to the price list for details.

SVAROCHI SMART LIGHTING APP

An easy to use App and can be downloaded from Play Store (Android) or App Store (iOS). It is compatible with operating system of Android > 5.0 and iOS > 8.0. Please check our website www.Svarochi.com for further details.



SMART LIGHTING APP

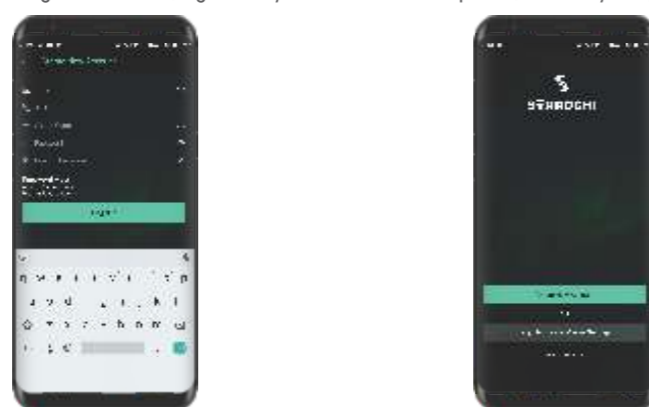
Version 3.0

SVAROCHI SMART LIGHTING OPERATING INSTRUCTIONS

- 1 Download the App from Google Play Store or Apple App Store.



- 2 Create Account (Internet connection needed at this stage). Register with your valid e-mail ID or mobile number, secret key and a password. Once you register, you become the Administrator of that network, automatically. Multiple people should not try to set up the same network. If you are an existing Svarochi user, log-in with your email ID/mobile phone, secret key and password.



- 3 Create Project site by clicking on Add Project Icon. (Internet connection needed at this stage). This is the HOME Page and the Menu options are available by clicking on the 3 dots on the upper right corner of the Home Page .You can create up to 100 projects with a single registered ID (Account).
 - Click on Project Icon to enter the Room Page .You can Add up to 15 rooms in each project.
 - Click on Room Icon to enter the room to access lights (Be physically present in the room when doing this action). The Smart Lights should be switched ON from electrical switch for the App to recognize it. You can add up to 100 lights in each room
 - Lights will blink and faded icons will pop up. Unpaired light icons will appear faded. Pair the Lights by touching the faded icons which will turn bright when paired. The category of light will be stated in the description .You can Rename each light by pressing on Edit button. Click on the Gear button to control the lights individually ,
 - Creating Groups - Multiple lights can be selected to form groups, when you want all lights to behave in the same fashion. One light point can be made part of maximum 6 groups. When groups are created with different light categories , the common control option will prevail. For example , if a group is made with Bright and Dim and Color and Daylight Plus , you can only switch ON/OFF and Dim the Lights. Only in homogeneous group , you can access all the features of the highest category
 - Creating Scenes - You can create up to 10 scenes. In a scene you can add individual lights or groups. Each light or groups can be separately set to your preferred light settings and saved as a scene. You cannot assign a pre-saved effect as a part of the Scene. You can run multiple scenes by setting them in ON position
 - Creating Event - This allows you to create commands that can last within a 24 hour time period. The event can also have a start and end time period. For example: You can create a wake up command that can be scheduled to activate after 8 hours from the time of setting it up and the event lasts for 1 hour after which it automatically switches off.
 - Music Integration - Play music from your phone and watch the colours change in your lights
 - Camera Integration- Click an image with your mobile camera and pick a colour and set the light colour to match it
 - Create your own dynamic effect- Create your own dynamic effect , by choosing the colour from the palette /camera image and transition time
 - Memory Enable/Disable-This feature is available in the Lights Page.
 - When Memory is enabled , the lights retain the memory of the current state when kept ON for at least 1

minute . In this condition , when you switch OFF from the electrical switch and switch ON , the lights reverts to your saved setting. However if you switch the Lights OFF from App , and switch OFF the power from electrical switch , the lights will not turn on , by switching ON from the electrical switch.

- When Memory is disabled , the lights will lose the memory when switched OFF from electrical switch.

IMPORTANT : If you have switched OFF the lights from the APP , and have switched OFF the electrical switch you need to switch ON lights from APP to regain saved settings. Switching ON /OFF/ON from electrical switch (when lights were switched OFF from App) will turn the lights ON in FACTORY DEFAULT MODE. Multiple switching ON and OFF from electrical switch when lights are in OFF state from APP, may cause unpairing at times

- Save Settings on cloud (Press the three dots menu icon in the Home screen) or Restore settings on the cloud (Internet connection need)
- Log Out -Your database is automatically saved in the cloud when you log out . Internet connection required
- Transferring /Receiving Network - App allows multiple users to access a network. When you create an Account and a Project you automatically become a Admin of that network .You can transfer network or receive network in 2 profile
- Admin Profile- can add or unpair lights, create group/scenes , add /delete lights in groups/scenes
- Guest Profile -can operate but not allowed to change add lights/groups etc

To Transfer a network to other users (Internet connection required to transfer)

- The user to whom you will transfer need to download the Svarochi App and create an account with email ID/phone number
- Click on Menu (3 dots on top right screen in Home page).
- Click Invite User and click on Plus
- Type in the registered email ID /phone number of the user you want to transfer the network to, and type a nick name
- Select Invitation Type " Profile Admin " or " Guest "
- Select Rooms in the Project you want to transfer access to
- Click the Tick button (✓) on upper right corner to send invite

Receiving Network (Internet connection required to receive network)

You can also receive Network from others . You will get a notification on your registered email ID/Phone when any other user has transferred a network.

- Click on Switch profile in the Menu option and select the network which has been transferred to you .
- You can choose Self (which is your own network)
- Choose the name of the network transferred to you to access the network . When you choose the profile of the transferred network , you will not be able to see your own network.

How to Hard Reset Lights

In the event a light is not responsive in the network (due to accidental deletion of network without saving etc) , you can hard reset the lights.

To hard reset, you need to

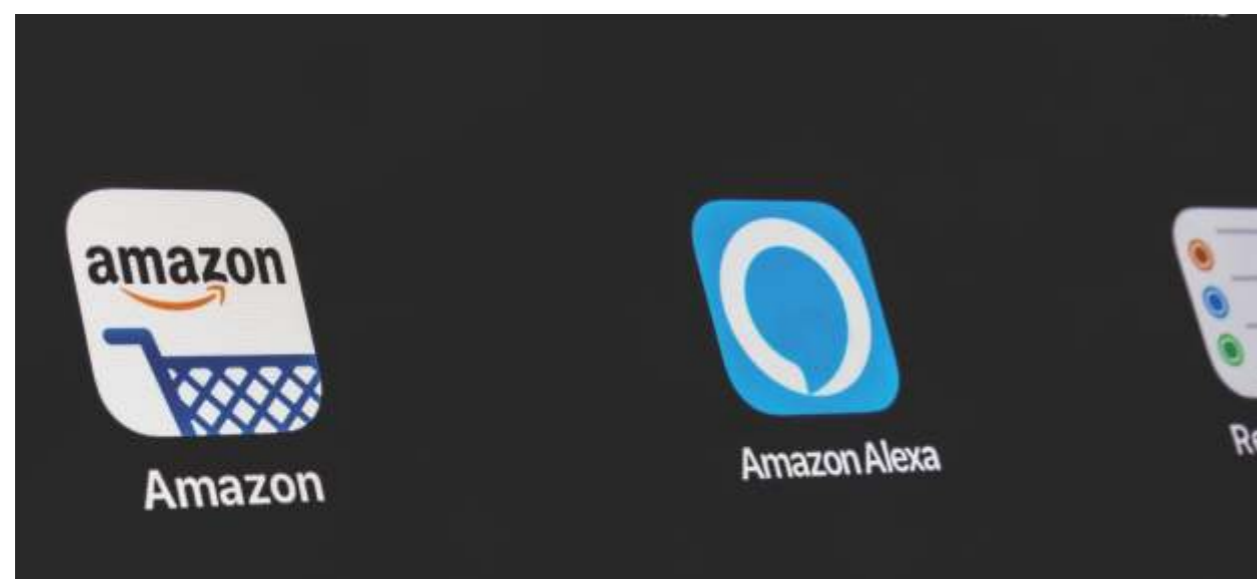
- Switch ON – 4 sec Switch OFF -6 sec
- Repeat above cycle for 5 times
- Switch ON , lights will blink and indicate that it has been reset

With our App **SVAROCHI**

You can create upto 100 Projects	Add upto 15 rooms in a projects	Control upto 100 lights in a Room	Create 6 Groups
Save upto 10 scenes	Multiple user access as Admin or Guest Access	Transfer a complete project or select rooms in a project	

HOW TO ENABLE ALEXA

- With Svarochi smart lights skill you can control all the features of smart lights such as on/off control, dimming, tunability, color, groups, rooms and scenes through voice also.
- To use this, you should have Svarochi lamps and mobile app (available in play-store and App-store)
- Log-in to the Alexa app and configure your echo device with alexa app.
- Select Svarochi skill from skills set.
- Enable Svarochi Skill.
- Power ON Svarochi smart LED lights.
- Open Svarochi app and do the registration process in Svarochi app. After that click on Alexa icon at top right corner of Svarochi App home screen then it will ask you for login credentials. Enter the same credentials that you have used for login in Alexa App.
- Inside Svarochi App, make Project and Room. Go inside that room. you can see unpaired light as faded icon. Tap on to that icon for pairing. After pairing that faded icon turns into bright icon. Now you can group Svarochi smart lights to control in a group or control individually.
- To control the lights through Alexa assistant, please follow the below voice commands:
 - **Room Control:**
 - Alexa, ask Svarochi to turn on/off all lights
 - *Alexa, ask Svarochi to set room to warmer/cooler*
 - *Alexa, ask Svarochi to set room to brighter/dimmer*
 - *Alexa, ask Svarochi to set room to Red/blue/green/magenta/yellow etc*
 - **Lights control: (Example- Name of Light = Table Lamp)**
 - Alexa, ask Svarochi to turn on/off table lamp
 - *Alexa, ask Svarochi to set table lamp to brighter*
 - *Alexa, ask Svarochi to set table lamp to dimmer*
 - *Alexa, ask Svarochi to set table lamp to warmer*
 - *Alexa, ask Svarochi to set table lamp to cooler*
 - *Alexa, ask Svarochi to set table lamp to warmer*
 - *Alexa, ask Svarochi to set table lamp to Red/Blue/Green/yellow etc.*
 - **Group Control: (Example- Name of Group = Lobby Group)**
 - Alexa, ask Svarochi to turn on/off lobby group
 - *Alexa, ask Svarochi to set lobby group to warmer/cooler*
 - *Alexa, ask Svarochi to set lobby group to brighter/dimmer*
 - *Alexa, ask Svarochi to set lobby group to Red/blue/green/magenta/yellow etc*
 - **Scenes Control:**
 - Alexa, ask Svarochi to apply Meditation scene
 - *Alexa, ask Svarochi to apply Party mode*
- **Few points to be noted while using Alexa assistant to control Svarochi smart LED lights:**
 - Voice command should follow same syntax as given in Svarochi skills reference document.
 - US accent is necessary to use Alexa feature using US account and INDIAN accent is necessary to use Alexa feature in INDIAN account.
 - Always pronounce voice command like "Alexa, ask Svarochi, command..." i.e., "ask Svarochi is pronounced as single phrase.
 - Always give one word name to lamp/group/scene/room kitchen, hall are correct ways. but 'master bedroom', 'big hall' are not very good option.
 - If voice commands never works then please disable/enable Svarochi skills in Alexa app and then in Svarochi app.
 - Use the same amazon account for both Alexa App and Svarochi App . Account created in amazon.com should use US region and amazon.in should use INDIA region.
 - If you are using Amazon speakers to control Svarochi lamps, then Svarochi app must be ON and near to Amazon speakers.



SMART LIGHTING TIPS

LET'S MAKE LIVES,
A LOT BRIGHTER

LIGHTING TIPS TO MAKE YOUR HOME BEAUTIFUL

Living and Bar Area

- 1 Use Bright and Dim lamp in your decorative table lamp. Set the intensity to your choice to create the perfect setting.

- 2 Use a decorative floor standing fixture with Color & Daylight lamp. Add a tinge of colour for those special occasions.

- 3 Use Warm & Cool downlights/spotlights on the ceiling to create light patterns on the wall. LED Flexi strips can be put behind TV.

- 4 Use decorative floor standing fixture with Warm & Cool lamp. Use white light for reading and Warm for a relaxed evening.

- 5 Use Color & Daylight downlights, for those colour splashes on festive occasion and daylight colours for your regular days.

- 6 Use Warm and Cool spotlights to get the right white or yellow to highlight the prized painting in your wall.

- 7 Use a decorative floor standing fixture with Color & Daylight Lamp.

- 8 Use deep recessed Bright & Dim downlights or use Bright and Dim lamps in decorative ceiling pendants for general lighting of the circulation space. Alternately use Warm and Cool Flexi strips if you have a cove.



We recommend you to consult a professional lighting /interior designer for the optimal selection of light fittings and creating your desired effect.

LIGHTING TIPS TO MAKE YOUR HOME BEAUTIFUL

Master Bedroom and Bath area

- 1 Use Warm & Cool in the table lamp beside your favorite couch and select your preferred white and intensity while reading.

- 2 Use Colour & Daylight downlights on the ceiling behind the bed. Select your preferred white on regular days, add a touch of colour to brighten gloomy winter evenings.

- 3 Use Warm & Cool Lamp in the bedside table lamps. Tune to white light while reading or dim to warm light while watching TV or having a cozy chat.

- 4 a) Use Warm & Cool Lamp in your mirror lights. Create the best setting to match your dress and makeup by tuning to the preferred white light. Use linear lights along the vertical side of mirror and wide beam downlights from the ceiling for best effect.
b) Use Warm & Cool Lamp in your mirror lights over the bathroom wash basin area. Use white settings during shaving and warm otherwise.

- 5 Use Color & daylight downlights to transform your bathroom into a well being room. Select energising blue setting to wake you up in the morning and a pinkish meditation setting and relax in the tub during your evening bath.

- 6 Place soft lights under bathroom cabinets or hide lights on top of the vanity station to provide gentle illumination onto floor and ceiling for ambiance.

- 7 Use Warm & Cool Downlights for creating maximum flexibility between functional requirement and relaxing.

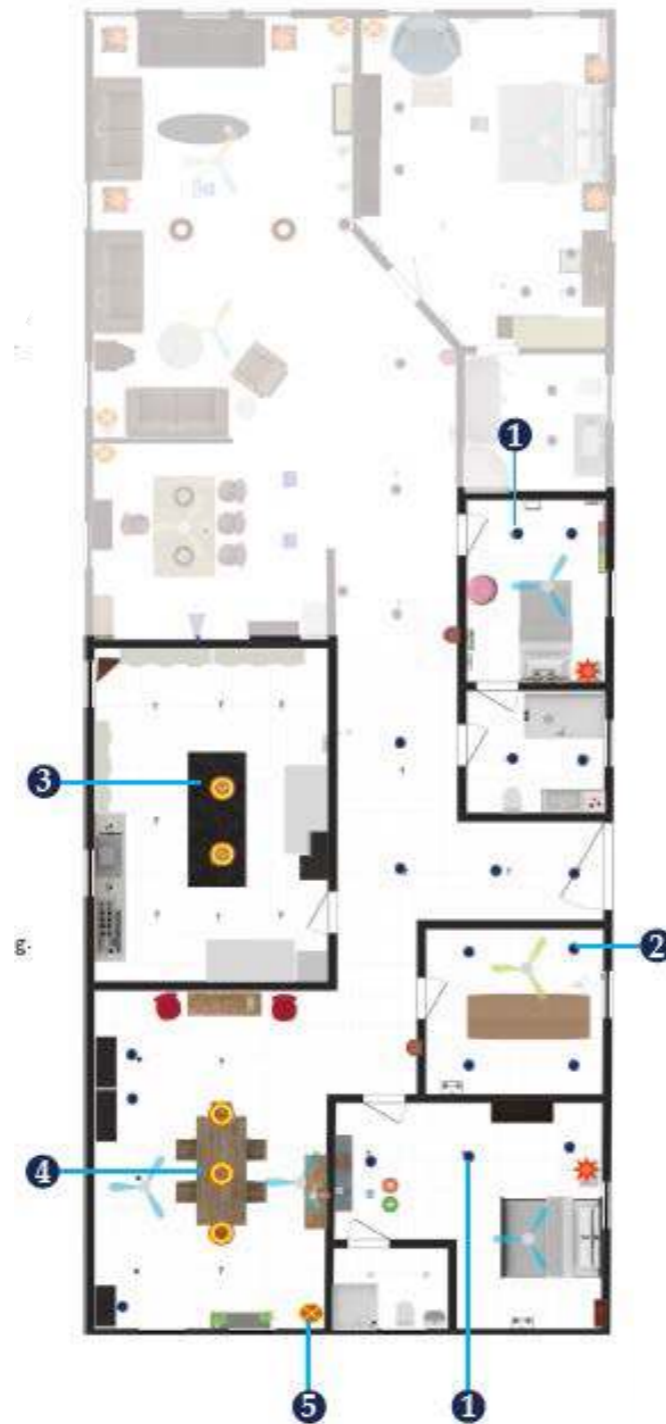


We recommend you to consult a professional lighting /interior designer for the optimal selection of light fittings and creating your desired effect.

LIGHTING TIPS TO MAKE YOUR HOME BEAUTIFUL

Children Room, Study Room, Kitchen & Dining

- 1 a) Use Warm & Cool downlights for general lighting. b) Use Color & Daylight lamp in decorative pendant lamps in your children's room to transform into their chill zone.
- 2 Use Warm & Cool downlights in the study room. White light improves visual acuity of your child and helps them to concentrate better. Add a table lamp for local lighting. Set general lighting to neutral white and 30-50% intensity and table lamp to 100% for optimal setting during study time.
- 3 Pendant lights over kitchen counter tops make for a great look. Use Warm & Cool lamp in them to check the freshness of food. Use Bright & Dim downlights in the Kitchen for general lighting. Dim the lights when not in use and turn on the mini spots under cabinets for a perfect setting during the evening.
- 4 For rectangular dining table use a row of pendant lights with Warm & Cool lamps. On special occasions, change the ambience to a "classy fine dining restaurant", by tuning to warm colours and at lower intensity!
- 5 Create your own preferred scene by setting preferred pastel colours with a Color & Daylight lamp in your floor standing fitting and very warm in the table lamps. Keep lighting level on the higher side, on regular days, to see each others faces and the food! Add accent lights with warm and cool spots in the crockery cabinet.



We recommend you to consult a professional lighting /interior designer for the optimal selection of light fittings and creating you desired effect.

LIGHT COLOUR AND AMBIANCE

The colour appearance of a light source means how warm/yellow or cool /white it looks. In technical terms this is called colour temperature, Tc, (K). which creates ambience and mood. Sky colour changes through the day, and evokes varied emotional responses. Mid day blue sky makes us energetic. Sunset hues makes us feel relaxed and romantic. In lighting terminology, 2200K -6500K are all shades of White.

Very Warm White-2200 K Warm White-2700 K Neutral White-3000K Cool White-6500 K



With Svarochi Smart Lights, different lighting ambience can be created from same light at the convenience of just a few taps on your Bluetooth enabled mobile device.

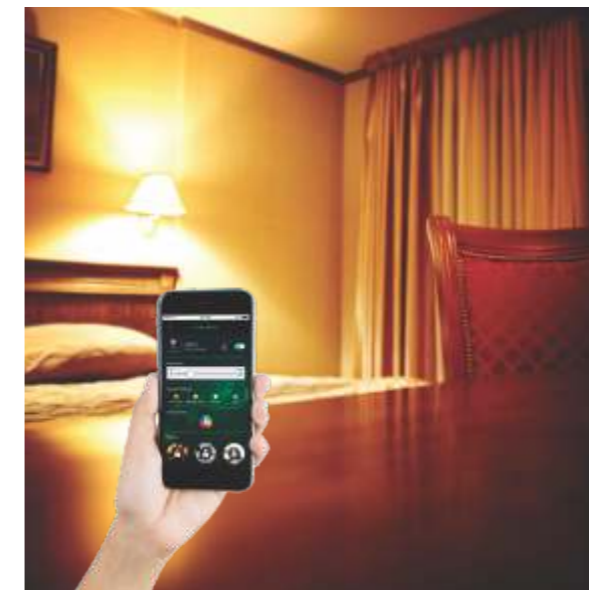
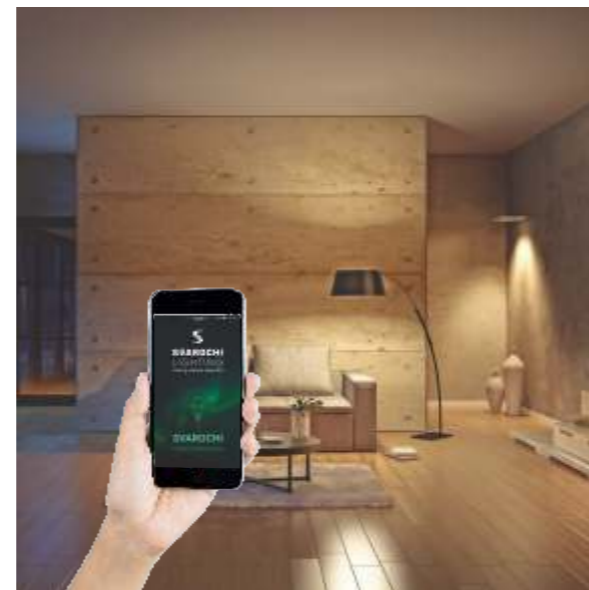
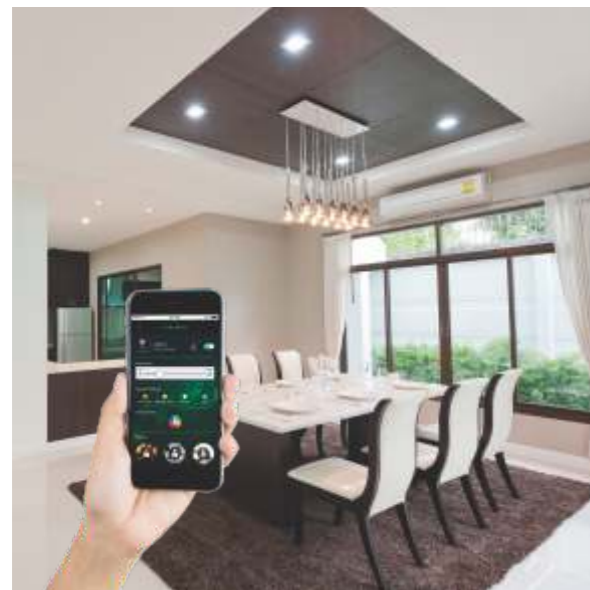
HOW TO CREATE AMBIENCE AND SET MOODS

SVAROCHI TIP

You can create moods by "layering lights" and save them as Scenes in your Svarochi App.

Creating Lighting Layers

An effective way to maximize the appearance and functionality of any space is to light in layers. Multiple light sources help balance a room by minimizing glare and shadows, while adding depth and dimension. Interior designers layer colour, texture, pattern to create interesting, dynamic rooms. The layered approach is also used in lighting design. However, with lighting, layering involves combining general, ambient, task, accent and decorative lighting to create a balanced, visually comfortable ambiance of your preference and make the space look beautiful.



General Lighting

General lighting also referred to as ambient light is intended for general illumination of an area. It radiates a comfortable level of brightness without glare and allows you to see and walk about safely. General lighting can be achieved by 'direct lighting' from ceiling with recessed downlights, chandeliers, surface mounted luminaires. It can also be achieved with indirect lighting inside ceiling coves.

Task Lighting

Task lighting is the next layer and helps people see and create 'work zone'. This is mainly done for specific areas like sitting zone, dining table, kitchen counters, mirror, study table, reading area etc. Table lamps, floor standing lamps, suspended lights or even clusters of downlights and spot lights can be used for task lighting.

Accent Lighting

Accent lighting is the 'dramatic layer' and is most impactful in creating beautiful and attractive spaces. It helps to highlight architectural features, textures, displays, paintings, curios. It is recommended to use high accents especially in living room, but medium to low in bedrooms. Spotlights, tracklights, narrow beam downlights are commonly used for accent lighting. Accents can also be created by grazing wall lights.

Decorative Lighting

In this layer, the light fitting is itself the focal point of attraction. Ceiling mounted decorative light fittings like chandeliers are most commonly used to create this layer.



DATASHEET

SMART AND BRIGHT
CHOICES FOR YOUR LIVING

SMART BULBS

FAMILY NAME	WATTAGE	CATEGORY NAME	TYPE NO	DESCRIPTION	DIMENSION DXH (MM X MM)	CUTOUT (MM)	CCT	LUMEN OUTPUT (LM)	MASTER PACKING
Smart Bulb	9W	Color and Daylight Plus	SVB103/9W C&D PLUS B22/E27	LED Smart Bulb with diffused polycarbonate cover. Can be switched ON/OFF, dimmed and tuned from 2700K-6500K, and a choice of >16mln colours	111 x 60	B22/E27	>16mln colour + 2300-6500K	850 lm @6500K	20/box

SMART DOWNLIGHTS

FAMILY NAME	WATTAGE	CATEGORY NAME	TYPE NO	DESCRIPTION	DIMENSION DXH (MM X MM)	CUTOUT (MM)	CCT	LUMEN OUTPUT (LM)	MASTER PACKING
Aspire	8W	Bright and Dim	SVB301/8W B&D 3I	LED Smart downlights with polycarbonate body and diffused cover. Can be switched ON/OFF, and dimmed. Available in WW and CW	104 x 50	77	WW-2700K CW-6500K	420 lm at 2700K 555 lm at 6500K	8/box
Aspire	12W	Bright and Dim	SVB301/12W B&D 4I	LED Smart downlights with polycarbonate body and diffused cover. Can be switched ON/OFF, and dimmed. Available in WW and CW	125 x 50	102	WW-2700K CW-6500K	830 lm at 2700K 950 lm at 6500K	8/box
Aspire	16W	Bright and Dim	SVB301/16W B&D 5I	LED Smart downlights with polycarbonate body and diffused cover. Can be switched ON/OFF, and dimmed. Available in WW and CW	144 x 50	121	WW-2700K CW-6500K	1220 lm at 2700K 1350 lm at 6500K	8/box
Aspire	8W	Warm and Cool	SVB302/8W W&C 3I	LED Smart downlights with polycarbonate body and diffused cover. Can be switched ON/OFF, dimmed and tuned from 2700K-6500K	104 x 50	77	2300K-6500K	555 lm at 6500K	8/box
Aspire	12W	Warm and Cool	SVB302/12W W&C 4I	LED Smart downlights with polycarbonate body and diffused cover. Can be switched ON/OFF, dimmed and tuned from 2700K-6500K	125 x 50	102	2300K-6500K	950 lm at 6500K	8/box
Aspire	16W	Warm and Cool	SVB302/16W W&C 5I	LED Smart downlights with polycarbonate body and diffused cover. Can be switched ON/OFF, dimmed and tuned from 2700K-6500K	144 x 50	121	2300K-6500K	1350 lm at 6500K	8/box
Aspire	8W	Color and Daylight	SVB303/8W C&D 3I	LED Smart downlights with polycarbonate body and diffused cover. Can be switched ON/OFF, and dimmed, choice of selected white shades and a choice of >16mln colours	104 x 50	77	16mln colour + 4000K	500 lm at 4000K	8/box
Aspire	12W	Color and Daylight	SVB303/12W C&D 4I	LED Smart downlights with polycarbonate body and diffused cover. Can be switched ON/OFF, and dimmed, choice of selected white shades and a choice of >16mln colours	125 x 50	102	16mln colour + 4000K	860 lm at 4000K	8/box
Aspire	8W	Color and Daylight Plus	SVB303/8W C&D -P 3I	LED Smart downlights with polycarbonate body and diffused cover. Can be switched ON/OFF, and dimmed, tunable from 2300K-6500K and choice of >16mln colours	104 x 50	77	2300K-6500K + 16mln colour	640 lm at 4000K	8/box
Aspire	12W	Color and Daylight Plus	SVB303/12W C&D -P 4I	LED Smart downlights with polycarbonate body and diffused cover. Can be switched ON/OFF, and dimmed, tunable from 2300K-6500K and choice of >16mln colours	125 x 50	102	2300K-6500K + 16mln colour	1020 lm at 4000K	8/box
Classic Round	12W	Warm and Cool	SVB602/12W M-R W&C 4I	LED Smart panel low height downlights with cast aluminium body and diffused cover. Can be switched ON/OFF, and dimmed, and tunable from 2300K-6500K	120 x 35	102	2300K-6500K	840 lm at 6500K	8/box
Classic Round	16W	Warm and Cool	SVB602/16W M-R W&C 6I	LED Smart panel low height downlights with cast aluminium body and diffused cover. Can be switched ON/OFF, and dimmed, and tunable from 2300K-6500K	170 x 35	150	2300K-6500K	1300 lm at 6500K	8/box



COB SMART SPOTLIGHTS PRIMA AND ELITE SERIES

FAMILY NAME	WATTAGE	CATEGORY NAME	TYPE NO	DESCRIPTION	DIMENSION DXH (MM X MM)	CUTOUT (MM)	CCT	LUMEN OUTPUT (LM)	MASTER PACKING
Prima Fixed	8W	Bright and Dim	SVB401F/8W B&D WW /NW 3I FIX	LED Smart COB Spotlights cast aluminium body and fixed reflector based optics. Can be switched ON/OFF, and dimmed	90 x 56	75	WW-2700K/ NW-4000K	530 lm at 2700K 600 lm at 400K	8/box
Prima Fixed	16W	Bright and Dim	SVB401F/16W B&D WW/NW 4I FIX	LED Smart COB Spotlights cast aluminium body and fixed reflector based optics. Can be switched ON/OFF, and dimmed	120 x 70	100	WW-2700K/ NW-4000K	1090 lm at 2700K 1280 lm at 4000K	8/box
Prima Fixed	8W	Warm and Cool	SVB402F/8W W&C 3I FIX	LED Smart COB Spotlights cast aluminium body and fixed reflector based optics. Can be switched ON/OFF, dimmed, and tunable from 2700K-6500K	90 x 56	75	2700K-6500K	560 lm at 6500K	8/box
Prima Fixed	16W	Warm and Cool	SVB402F/16W W&C 3I FIX	LED Smart COB Spotlights cast aluminium body and fixed reflector based optics. Can be switched ON/OFF, dimmed, and tunable from 2700K-6500K	120 x 70	100	2700K-6500K	1100 lm at 6500K	8/box
Prima Fixed	30W	Warm and Cool	SVB402F/30W W&C FIX	LED Smart COB Spotlights cast aluminium body and fixed reflector based optics. Can be switched ON/OFF, dimmed, and tunable from 2700K-6500K	200 x 95	175	2700K-6500K	2100 lm at 6500K	4/box
Prima Swivel	8W	Bright and Dim	SVB401S/8W B&D WW/NW 3I SWV	LED Smart COB Spotlights cast aluminium body and reflector based swivel/adjustable optics. Can be switched ON/OFF, and dimmed	85 x 60	75	WW-2700K/ NW-4000K	530 lm at 2700K 600 lm at 4000K	8/box
Prima Swivel	8W	Warm and Cool	SVB402S/8W W&C 3I SWV	LED Smart COB Spotlights cast aluminium body and reflector based swivel/adjustable optics. Can be switched ON/OFF, dimmed and tunable from 2700K-6500K	85 x 60	75	2700K-6500K	560 lm at 6500K	8/box
Prima Swivel	12W	Warm and Cool	SVB402S/12W W&C 3I SWV	LED Smart COB Spotlights cast aluminium body and reflector based swivel/adjustable optics. Can be switched ON/OFF, dimmed and tunable from 2700K-6500K	96 x 76	80	2700K-6500K	720 lm at 6500K	8/box
Prima Swivel	16W	Warm and Cool	SVB402S/16W W&C 4I SWV	LED Smart COB Spotlights cast aluminium body and reflector based swivel/adjustable optics. Can be switched ON/OFF, dimmed and tunable from 2700K-6500K	136 x 96	110	2700K-6500K	980 lm at 6500K	8/box
Prima Swivel	30W	Warm and Cool	SVB402S/30W W&C SWV	LED Smart COB Spotlights cast aluminium body and reflector based swivel/adjustable optics. Can be switched ON/OFF, dimmed and tunable from 2700K-6500K	160 x 98	135	2700K-6500K	2200 lm at 6500K	8/box
Elite Fixed	8W	Warm and Cool	SVB502/8W /RF3 WC 3I	LED Smart COB deep recessed Spotlights cast aluminium body and lens based fixed optics. Can be switched ON/OFF, dimmed and tunable from 2700K-6500K	78 x 115	70	2700K-6500K	580 lm at 6500K	4/box
Elite Curve	8W	Warm and Cool	SVB502/8W /RF8 WC 3I	LED Smart COB deep recessed Spotlights cast aluminium body and lens based fixed optics with curved profile attachment. Can be switched ON/OFF, dimmed and tunable from 2700K-6500K	85 x 112	70	2700K-6500K	580 lm at 6500K	4/box
Elite Swing	8W	Warm and Cool	SVB502/8W /RA3 WC 4I	LED Smart COB deep recessed Spotlights cast aluminium body and lens based adjustable /swivel optics. Can be switched ON/OFF, dimmed and tunable from 2700K-6500K	105 x 110	90	2700K-6500K	580 lm at 6500K	4/box
Elite Angle	8W	Warm and Cool	SVB502/8W /RF10 WC 3I	LED Smart COB deep recessed Spotlights cast aluminium body and lens based regular asymmetrical optics for wall washing. Can be switched ON/OFF, dimmed and tunable from 2700K-6500K	95 x 145	85	2700K-6500K	580 lm at 6500K	4/box
Elite Fixed	16W	Warm and Cool	SVB502/16W /RF2 WC 4I	LED Smart COB deep recessed Spotlights cast aluminium body and lens based fixed optics. Can be switched ON/OFF, dimmed and tunable from 2700K-6500K	100 x 118	90	2700K-6500K	1120 lm at 6500K	4/box
Elite Curve	16W	Warm and Cool	SVB502/16W /RF5 WC 4I	LED Smart COB deep recessed Spotlights cast aluminium body and lens based fixed optics with curved profile attachment. Can be switched ON/OFF, dimmed and tunable from 2700K-6500K	100 x 112	90	2700K-6500K	1120 lm at 6500K	4/box
Elite Swing	16W	Warm and Cool	SVB502/16W /RA3 WC 4I	LED Smart COB deep recessed Spotlights cast aluminium body and lens based adjustable /swivel optics. Can be switched ON/OFF, dimmed and tunable from 2700K-6500K	105 x 110	90	2700K-6500K	1120 lm at 6500K	4/box
Elite Angle	16W	Warm and Cool	SVB502/16W /RF10 WC 4I	LED Smart COB deep recessed Spotlights cast aluminium body and lens based regular asymmetrical optics for wall washing. Can be switched ON/OFF, dimmed and tunable from 2700K-6500K	95 x 145	85	2700K-6500K	1120 lm at 6500K	4/box

COB SMART LED MODULES WITHOUT ATTACHMENT PRIMA AND ELITE SERIES

FAMILY NAME	WATTAGE	CATEGORY NAME	TYPE NO	DESCRIPTION	DIMENSION DXH (MM X MM)	CCT	LUMEN OUTPUT (LM)	MASTER PACKING
Prima Slim Module	8W	Warm and Cool	SVB 4002/8W W&C	LED Smart COB Universal Module, cast aluminium body and fixed reflector based optics. Attachment extra as required Can be switched ON/OFF, dimmed, and tunable from 2700K-6500K	47mm x 55m	2300-6500	520 lm at 6500K	8/box
Prima Slim Module	12W	Warm and Cool	SVB 4002/12W W&C	LED Smart COB Universal Module, cast aluminium body and fixed reflector based optics. Attachment extra as required Can be switched ON/OFF, dimmed, and tunable from 2700K-6500K	47mm x 55m	2300-6500	780 lm at 6500K	8/box
Elite Module	8W	Warm and Cool	SVB 5002/8W W&C	LED Smart COB Universal Module, cast aluminium body and fixed lens based optics. Attachment extra as required Can be switched ON/OFF, dimmed, and tunable from 2700K-6500K	60 x 85	2300-6500	580 lm at 6500K	8/box
Elite Module	16W	Warm and Cool	SVB 5002/16W W&C	LED Smart COB Universal Module, cast aluminium body and fixed lens based optics. Attachment extra as required Can be switched ON/OFF, dimmed, and tunable from 2700K-6500K	60 x 85	2300-6500	1120 lm at 6500K	8/box
Elite Slim Module	12W	Warm and Cool	SVB 5002/12W W&C	LED Smart COB Universal Module, cast aluminium body and fixed lens based optics. Attachment extra as required Can be switched ON/OFF, dimmed, and tunable from 2700K-6500K	50mm x 78m	2300-6500	780 lm at 6500K	8/box

ATTACHMENTS FOR COB SMART LED MODULES PRIMA AND ELITE SERIES

FAMILY NAME	TYPE NO	DESCRIPTION	DIMENSION DXH (MM X MM)	CUTOUT (MM)	MASTER PACKING
Fixed Round RF3-3I	SVA - 5099 RF3	Attachment for Prima Slim Module, Elite Module Elite Slim Module	78 x 115	70	4/box
Fixed Round RF2-4I	SVA - 5099 RF2	Attachment for Prima Slim Module, Elite Module, Elite Slim Module	100 x 118	90	4/box
Fixed Curve RF8 - 3I	SVA - 5099 RF8	Attachment for Prima Slim Module, Elite Module Elite Slim Module	85 x 112	70	4/box
Fixed Curve RF54I	SVA - 5099 RF5	Attachment for Prima Slim Module, Elite Module, Elite Slim Module	100 x 112	90	4/box
Swing RA3	SVA - 5099 RA3	Attachment for Prima Slim Module, Elite Module, Elite Slim Module	105 x 110	90	4/box
Angle RF 10	SVA - 5099 RF10	Attachment for Prima Slim Module, Elite Module, Elite Slim Module	95 x 145	85	4/box

PRIMA SMART LED FLEXI STRIP

FAMILY NAME	WATTAGE	CATEGORY NAME	TYPE NO	DESCRIPTION	DIMENSION DXH (MM X MM)	CCT	LUMEN OUTPUT (LM)	MASTER PACKING
Prima Flexistrip	8W/m	Warm and Cool	SVB 402-5/40W 24V Flex W&C 5m	LED Strip 5m reel with 60W power adapter and controller	5000 x 13	2200K-6500K	120 LED/m CW- 740 lm/M	NA
Prima Flexistrip	8W/m	Warm and Cool	SVB 402-2/16W 24V Flex W&C 2m	LED Strip 2m reel with 36W power adapter and controller	2000 x 13	2200K-6500K	120 LED/m CW- 740 lm/M	NA
Prima Flexistrip	8W/m	Color and Daylight Plus	SVB 403-5/40W 24V Flex C&D P 5m	LED Strip 5m reel with 60W power adapter and controller	5000 x 13	2200K-6500K + 16 mln colours	120 LED/m CW- 740 lm/M	NA
Prima Flexistrip	8W/m	Color and Daylight Plus	SVB 403-2/16W 24V Flex C&D P 2m	LED Strip 2m reel with 36W power adapter and controller	2000 x 13	2200K-6500K + 16 mln colours	120 LED/m CW- 740 lm/M	NA

ACCESSORIES FOR PRIMA SMART LED FLEXI STRIPS

FAMILY NAME	WATTAGE	CATEGORY NAME	TYPE NO	DESCRIPTION	DIMENSION DXH (MM X MM)	CCT	LUMEN OUTPUT (LM)	MASTER PACKING
Prima Flexistrip extension strip	8W/m	Warm and Cool	P_SVB 402E-5/40W 24V Flex W&C 5m - Strip Kit with IO connector	LED Extension Strip 5m with I/O connector	5000 x 13	2200K-6500K	120 LED/m CW- 740 lm/M	NA
Prima Flexistrip extension strip	8W/m	Warm and Cool	P_SVB 402E-2/16W 24V Flex W&C 2m - Strip Kit with IO connector	LED Extension Strip 2m with I/O connector	2000 x 13	2200K-6500K	120 LED/m CW- 740 lm/M	NA
Prima Flexistrip extension strip	8W/m	Color and Daylight Plus	P_SVB 403E-5/40W 24V Flex W&C 5m - Strip Kit with IO connector	LED Extension Strip 5m with I/O connector	5000 x 13	2200K-6500K + 16 mln colours	120 LED/m CW- 740 lm/M	NA
Prima Flexistrip extension strip	8W/m	Color and Daylight Plus	P_SVB 403E-2/16W 24V Flex W&C 2m -Strip and Controller KIT	LED Extension Strip 2m with I/O connector	2000 x 13	2200K-6500K + 16 mln colours	120 LED/m CW- 740 lm/M	NA
Prima Flexi Strip + controller	8W/m	Warm and Cool	P_SVB 402K-5/40W 24V Flex W&C 5m - Strip and Controller KIT	LED Strip 5m reel and controller w/o power supply	5000 x 13	2200K-6500K	120 LED/m CW- 740 lm/M	NA
Prima Flexi Strip + controller	8W/m	Warm and Cool	P_SVB 402K-2/16W 24V Flex W&C 2m - Strip and Controller KIT	LED Strip 2m reel and controller w/o power supply	2000 x 13	2200K-6500K	120 LED/m CW- 740 lm/M	NA
Prima Flexi Strip joining pcs	NA	NA	P_SVB 402 J Joining	LED Strip Accessoroes	NA	NA		
Prima Flexistrip Controller	Upto	Warm and Cool	P_SVB 4302FLEXI/ W&C controller	PWM Controller for Prima FlexiStrip	88 x 40 x 22	NA		20
Prima Flexistrip Power Supply Adapter	60W	NA	P_SVP 4200/60W	Power Adapter for Prima Flexi Strip	125 x 68 x 40	NA		
Prima Flexistrip Power Supply Adapter	36W	NA	P_SVP 4200/36W	Power Adapter for Prima Flexi Strip	125 x 68 x 40	NA		

PRIMA COB SMART SPOTLIGHTS - DRIVERS AND CONTROLLERS

FAMILY NAME	WATTAGE	CATEGORY NAME	TYPE NO	DESCRIPTION	DIMENSION DXH (MM X MM)	MASTER PACKING
Prima Smart DIM Driver	8W	Bright and Dim	P_SVB 4101/8W B&D	PWM Driver for COB. Can be switched ON/OFF, and dimmed when used with Svarochi App and LED COB product Vout(VDc)-->21-27Volt, Iout (mA) 300 mA pf>0.9	L=112mm W= 39mm H = 23mm	36
Prima Smart DIM Driver	12W	Bright and Dim	P_SVB 4101/12W B&D	PWM Driver for COB. Can be switched ON/OFF, and dimmed when used with Svarochi App and LED COB product Vout(VDc)-->33-39Volt, Iout (mA) 300 mA pf>0.9	L=112mm W= 39mm H = 23mm	36
Prima Smart DIM Driver	16W	Bright and Dim	P_SVB 4101/16W B&D	PWM Driver for COB. Can be switched ON/OFF, and dimmed when used with Svarochi App and LED COB product Vout(VDc)-->33-39Volt, Iout (mA) 300 mA pf>0.9	L=112mm W= 39mm H = 23mm	36
Prima Smart Tune Driver	8W	Warm and Cool	P_SVB 4102/8W W&C	PWM Driver for COB. Can be switched ON/OFF, dimmed and tuned from warm white to cool white when used with Svarochi App and tunable LED COB products Vout(VDc)-->21-27V, Iout (mA) 300 mA pf>0.9	L=112mm W= 39mm H = 23mm	36
Prima Smart Tune Driver	12W	Warm and Cool	P_SVB 4102/12W W&C	PWM Driver for COB. Can be switched ON/OFF, dimmed and tuned from warm white to cool white when used with Svarochi App and tunable LED COB products Vout(VDc)-->33-39 V Iout (mA) 300 mA pf>0.9	L=112mm W= 39mm H = 23mm	36
Prima Smart Tune Driver	16W	Warm and Cool	P_SVB 4102/16W W&C	PWM Driver for COB. Can be switched ON/OFF, dimmed and tuned from warm white to cool white when used with Svarochi App and tunable LED COB products Vout(VDc)-->33-39 Volt, Iout (mA) 300 mA pf>0.9	L=112mm W= 39mm H = 23mm	36



Back Inside

Back

Cover

Cover Inside Fold

Design & Concept by Gosstumpis

SVAROCHI
LIGHTING
making spaces beautiful



Approved SMART LED



Plug & Play | No Extra Wiring | Flexible | Stylish | Affordable

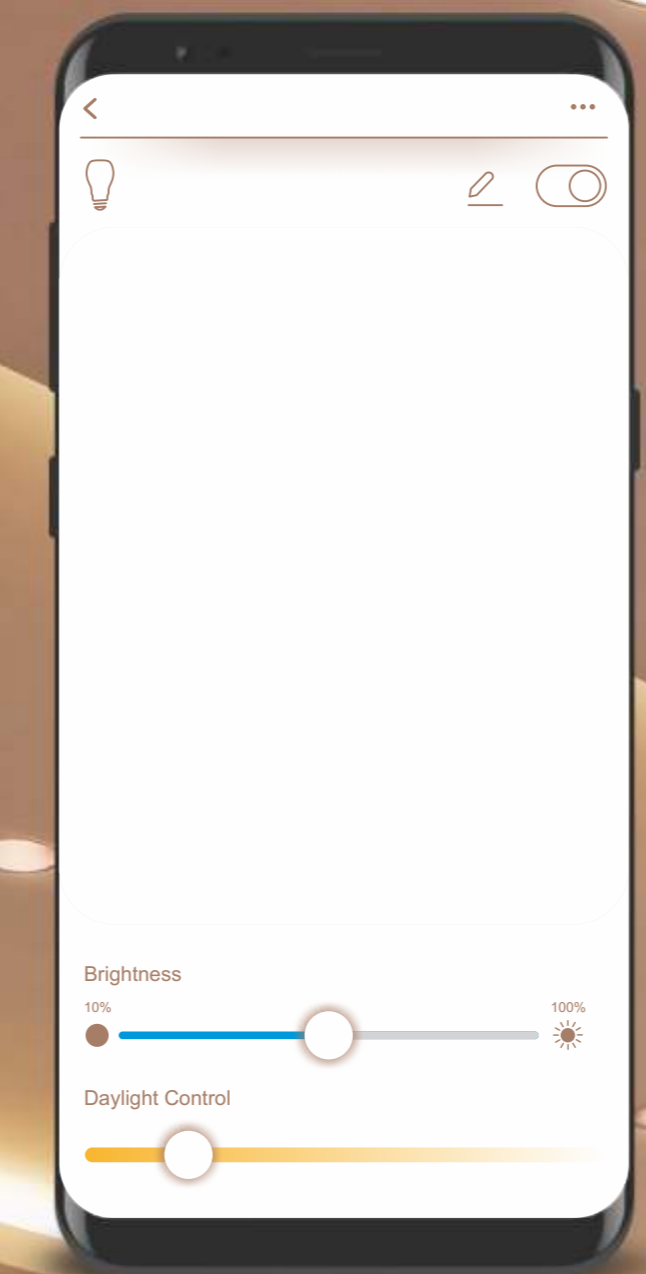
GET IT ON
Play Store | App Store

www.facebook.com/Svarochi/ www.twitter.com/Svarochi/Temp-us www.youtube.com/channel/UC8M43F84MLMxU0Ry

© 2018 iBahnlumination Pvt Ltd. All rights reserved. iBahnlumination under the brand name SVAROCHI reserves the right to make changes in specifications and/or to discontinue any product at any time without notice or obligation and will not be liable for any consequences resulting from the use of this publication.
Registered Office: T1, 2nd Floor, Okhla Industrial Estate, New Delhi - 110020 | Phone no: 1800-121-5610 (Toll Free) 0930-1830 hrs (Monday-Friday)
Contact us: info@svarochi.com
Visit: www.svarochi.com

Release October 2018
Product portfolio and specifications subject to change without notice.

SVAROCHI
LIGHTING
making spaces beautiful



PRODUCT
CATALOGUE
2018

SMART
LIGHTING
FOR
NEW AGE
LIVING



Approved SMART LED



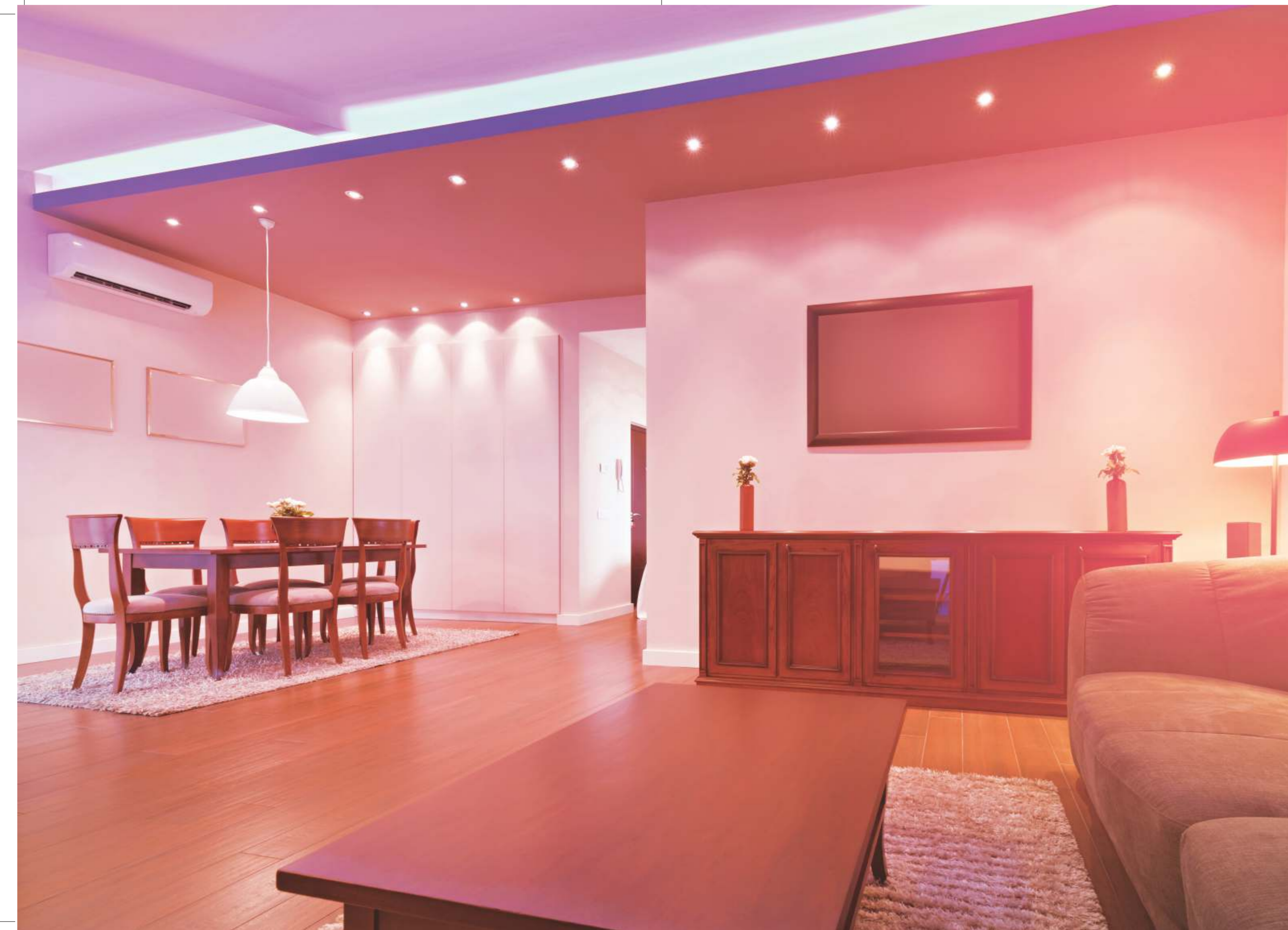
THE SMARTEST WAY TO LIGHT UP
YOUR SPACES

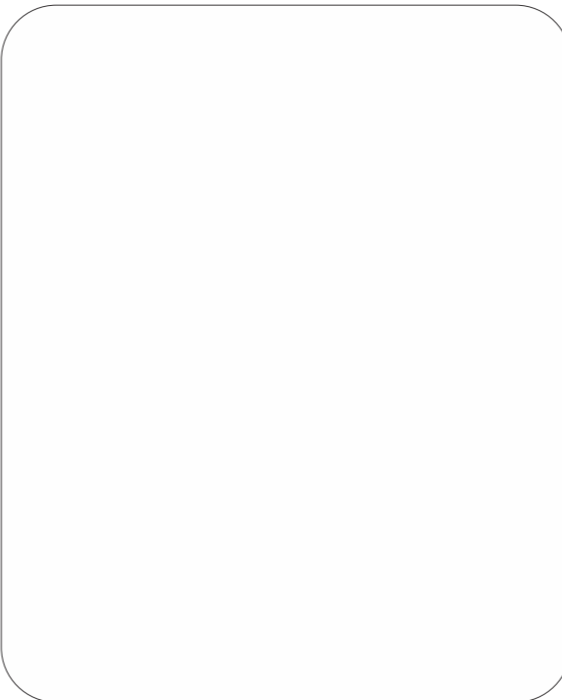
Plug & Play | No extra wiring | Flexible | Stylish | Affordable

GET IT ON
Play Store | App Store

In sync with today's smart living, Svarochi brings to you new-age smart LEDs that bring alive your spaces. Experience the sheer brilliance of 16 million colors. Switch between bright, dim and warm features. Explore all these and much more with just a swipe!

UV on text





**SMART
LIGHTING
FOR
NEW AGE
LIVING**

UV on text